

AZ22801

40 AMP MINIATURE POWER RELAY

FEATURES

- Panel Mount
- 1 Form A, B and C contacts available
- AC and DC coils available
- Class F high temperature available
- Lower cost 30A contact available
- Epoxy sealed versions available
- UL, CUR file E44211
- TÜV Pending



CONTACTS

| | |
|----------------------|---|
| Arrangement | SPST (1 Form A, or B) SPDT (1 Form C) |
| Ratings | Resistive load: Max. switched power: 1100 W or 7200 VA Max. switched current: 40 A (Form A) Max. switched voltage: 300 VAC, 110 VDC |
| UL, CUR | NO: 40 A at 240 VAC, Resistive 30 A at 277 VAC, General Purpose 25 A at 277 VAC, Resistive, 100k cycles 20 A at 240 VAC, Resistive, 250k cycles 2 HP at 250 VAC 5 A at 280 VAC, Ballast NC: 30A at 240 VAC / 30 VDC, Resistive 20A at 277 VAC, General Purpose 1 1/2 HP at 250 VAC 5 A at 280 VAC, Ballast |
| TUV (Pending) | NO: 40A at 240 VAC, 14 VDC NC: 30A at 240 VAC, 14 VDC |
| Material | Silver cadmium oxide [1], silver tin oxide [2] |
| Resistance | < 50 milliohms initially (24 V, 1 A voltage drop method) |

GENERAL DATA

| | |
|--|--|
| Life Expectancy Mechanical Electrical | Minimum operations 1 x 10 ⁷ 1 x 10 ⁵ at 30 A 120 VAC Res. |
| Operate Time | 15 msec max. at nominal coil voltage |
| Release Time | 10 msec max. at nominal coil voltage (without suppression) |
| Dielectric Strength (at sea level for 1 min.) | 1500 Vrms contact to contact 2500 Vrms contact to coil |
| Insulation Resistance | 1000 megohms min. at 20°C, 500 VDC 50% RH |
| Dropout | DC: > 10% of nominal coil voltage AC: > 30% of nominal coil voltage |
| Ambient Temperature Operating Storage | -55°C (-67°F) to 100°C (212°F) Class B -55°C (-67°F) to 130°C (266°F) Class B -55°C (-67°F) to 125°C (257°F) Class F -55°C (-67°F) to 155°C (311°F) Class F |
| Vibration | 0.062" DA at 10–55 Hz |
| Shock | 10 g |
| Enclosure | P.B.T. polyester |
| Terminals | Tinned copper alloy, P.C., |
| Max. Solder Temp. | 270°C (518°F) |
| Max. Solder Time | 5 seconds |
| Max. Solvent Temp. | 80°C (176°F) |
| Max. Immersion Time | 30 seconds |
| Weight | 35 grams |

COIL

| | |
|--|---|
| Power At Pickup Voltage (typical) Max. Continuous Dissipation | DC: 500 mW AC: 1.4 VA DC: 1.7 W at 20°C AC: 2.7 VA at 20°C |
| Max. Temperature | Max. 130°C (266°F) Class B Max. 155°C (311°F) Class F |

NOTES

1. All values at 20°C (68°F).
2. Relay may pull in with less than "Must Operate" value.
3. Specifications subject to change without notice.

ZETTLER Controls, Inc.

www.zettlercontrols.com

75 Columbia • Aliso Viejo, CA 92656 • Phone: (949) 360-5840 • Fax: (949) 360-5839 • E-Mail: sales@zettlercontrols.com

7/11/12

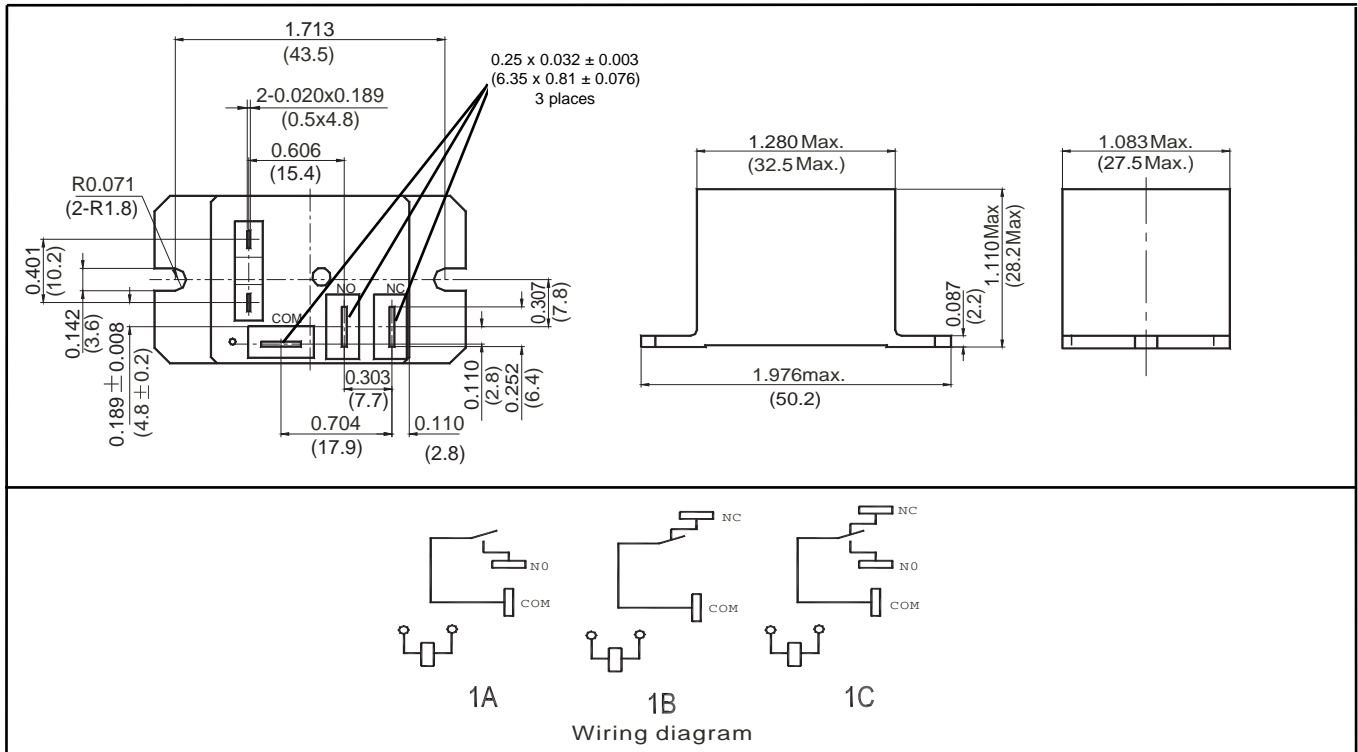
AZ22801

RELAY ORDERING DATA

| COIL SPECIFICATIONS – DC Coil | | | | | ORDER NUMBER* |
|--|------------------|---------------------|--------------------------|-----------------------|-----------------|
| Nominal Coil VDC | Must Operate VDC | Max. Continuous VDC | Nominal Current mA ± 10% | Coil Resistance ± 10% | |
| 3 | 2.25 | 3.9 | 300 | 10 | AZ22801-1A-3D |
| 5 | 3.75 | 6.5 | 179 | 28 | AZ22801-1A-5D |
| 6 | 4.50 | 7.8 | 150 | 40 | AZ22801-1A-6D |
| 9 | 6.75 | 11.7 | 100 | 90 | AZ22801-1A-9D |
| 12 | 9.00 | 15.6 | 75 | 160 | AZ22801-1A-12D |
| 15 | 10.25 | 19.5 | 60 | 250 | AZ22801-1A-15D |
| 18 | 13.5 | 23.4 | 50 | 360 | AZ22801-1A-18D |
| 24 | 18.0 | 31.2 | 38 | 640 | AZ22801-1A-24D |
| 48 | 36.0 | 62.4 | 19 | 2,560 | AZ22801-1A-48D |
| 110 | 82.50 | 143 | 8 | 13,445 | AZ22801-1A-110D |
| COIL SPECIFICATIONS – AC Coil 50/60 Hz | | | | | ORDER NUMBER* |
| Nominal Coil VAC | Must Operate VAC | Max. Continuous VAC | Nominal Coil Power VA | Coil Resistance ± 10% | |
| 12 | 9 | 15.6 | 2.0 | 27 | AZ22801-1A-12A |
| 24 | 18 | 31.2 | 2.0 | 120 | AZ22801-1A-24A |
| 120 | 90 | 156 | 2.0 | 3,040 | AZ22801-1A-120A |
| 220 | 165 | 286 | 2.0 | 13,490 | AZ22801-1A-240A |

*Substitute "-1B" or "-1C" in place of "-1A" for 1 Form B or 1 Form C respectively. For silver tin oxide contacts substitute "-1AE" or "-1CE" in place of "-1A" or "-1C." For 30A version, add "H" after "-1A/-1AE", "-1B/-1BE", "-1C/-1CE". To indicate class F version, add suffix "F". Substitute "DE" or "AE" in place of "D" or "A" for epoxy sealed version.

MECHANICAL DATA



Dimensions in inches with metric equivalents in parentheses. Tolerance: ± .010"