

ZC2 Series

Delay on Make and Break Timer Boards

DESCRIPTION

ZC "delay on make" timer is ideal for compressor staging and starting multiple motors. This relay also helps reduce power surges in that it applies the load only after the delay period has ended. The ZC "delay on break" timer helps to protect air conditioning, refrigeration and other equipment from damage which may be caused by the short cycling of compressors. When power is lost, the load is de-energized and the delay period begins. The system will restart only after the delay period has ended



FEATURES

- Compressor lockout/anti-short cycle timer
- Brownout protection
- Helps prevent scroll compressor reversal
- Fixed or adjustable timing
- 75C Ambient Operating Temperature
- UL 873, SA11095

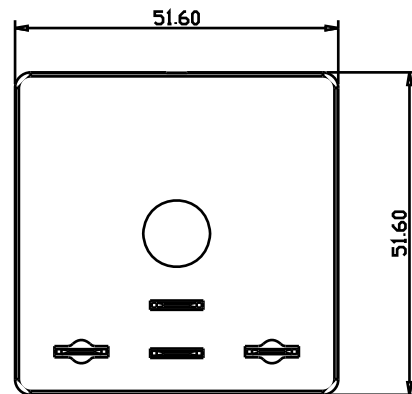
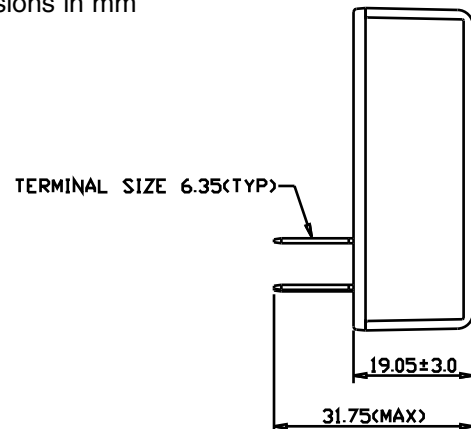
SPECIFICATIONS

Input:	
Voltage	18 ~ 30 VAC
Current	1.5 A
Inrush	15 A

Time Delays:		
Model	Type	Time
ZC201	Break	30 sec. Fixed
ZC204	Break	3 min. fixed
ZC205	Break	5 min. fixed
ZC206	Break	3 ~ 10 min. adjustable
ZC211	Make	30 sec. Fixed
ZC214	Make	3 min. fixed
ZC215	Make	5 min. fixed
ZC216	Make	3 ~ 10 min. adjustable

PRODUCT OUTLINE

Dimensions in mm



ZETTLER Controls, Inc. www.zettlercontrols.com

75 Columbia • Aliso Viejo, CA 92656 • Phone: (949) 360-5840 • Fax: (949) 360-5839 • E-Mail: sales@zettlercontrols.com

ZC2 Series

Delay on Make and Break Multi-input

FEATURES

- Compressor lockout/anti-short cycle timer
- Helps to protect compressors from damage caused by rapid short cycling
- Simple, 2 wire hook-up
- Adjustable timing
- Universal input voltage: 24 VAC, cut jumper for 120/240 VAC
- 75C Ambient Operating Temperature
- UL 873 Pending

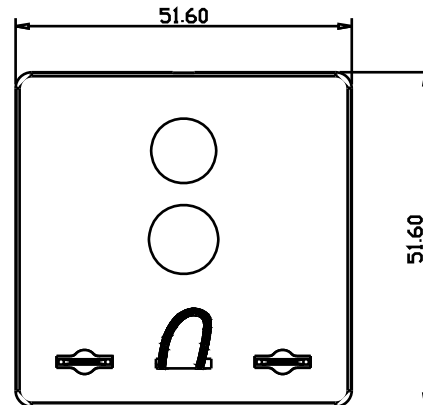
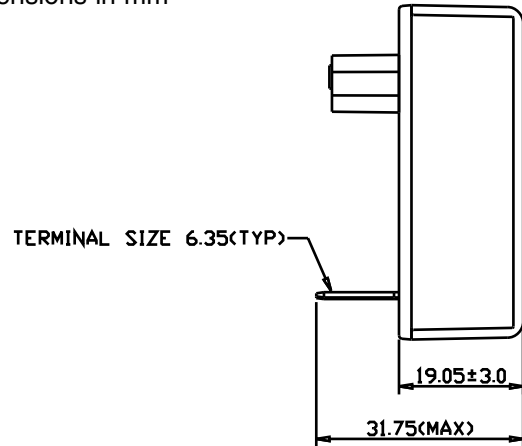
SPECIFICATIONS

Input:	
Voltage	18 ~ 240 VAC
Current	1.5 A
Inrush	15 A

Time Delays:		
Model	Type	Time
ZC207	Break	Knob-adjustable 0.03 ~ 10 minutes (1.8 ~ 600 seconds)
ZC218	Make	

PRODUCT OUTLINE

Dimensions in mm



ZETTLER Controls, Inc. www.zettlercontrols.com

75 Columbia • Aliso Viejo, CA 92656 • Phone: (949) 360-5840 • Fax: (949) 360-5839 • E-Mail: sales@zettlercontrols.com