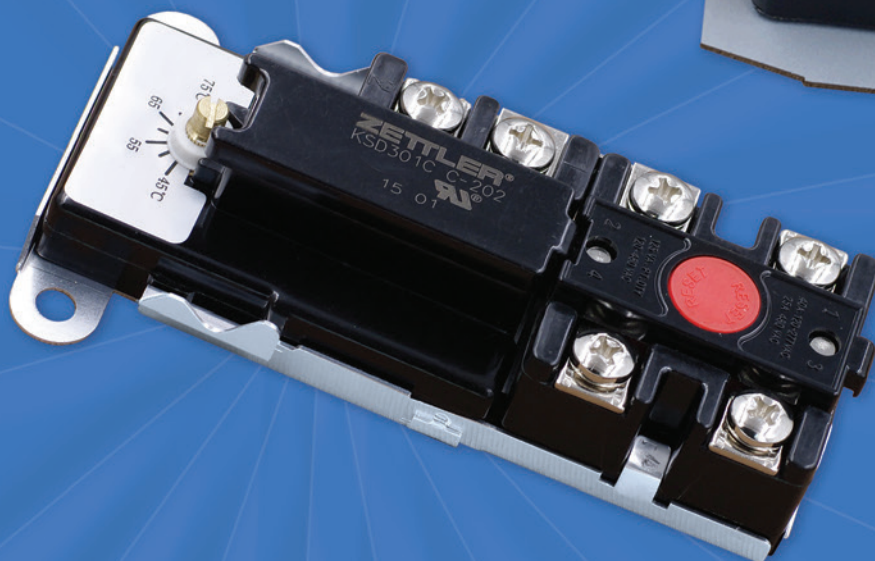
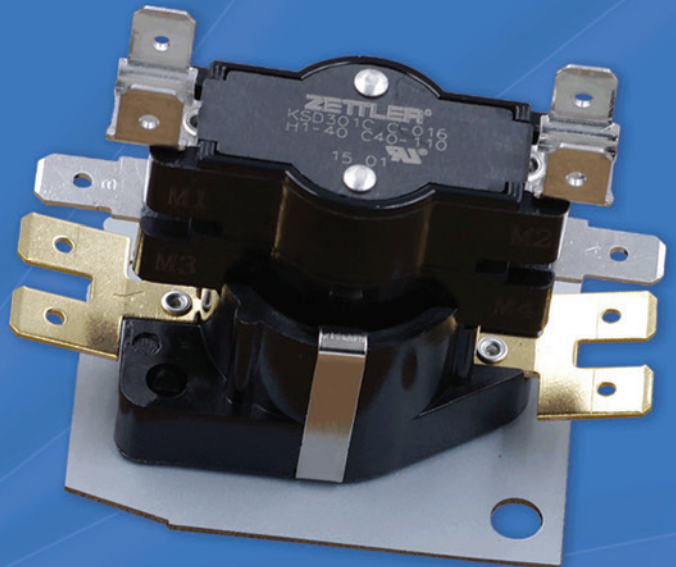


THERMOSTATS and TEMPERATURE CONTROLS



ZETTLER CONTROLS, INC

COMPANY INTRODUCTION

Through traditional craftsmanship and engineering excellence, the Zettler name has symbolized quality and reliability in relays for over 100 years in demanding applications such as telecommunication systems, computer peripherals, office automation equipment, home appliances, security systems, test and measurement devices and industrial controls.

Zettler Controls, Inc brings that same commitment to the HVAC/R market with an offering of relays, transformers, fan center controls, heat sequencers, thermistors, and bi-metal thermostats. This group of products is used by the HVAC/R industry in both residential and commercial applications.

We welcome application challenges, stock over one million units, deliver quick turnaround and understand demanding service requirements. Our unique combination of 100% quality testing, first-class sales and technical support, cost-effective product design and outstanding product availability offer a highly dependable and responsive resource for fulfilling all your HVAC/R needs.



ZETTLER

CONTENT



KSD301A 1/2" (12.7mm) Series Snap-Action Temperature Controls _____ P3



KSD301B Series Temperature Controls _____ P12



KSD301C 3/4" (19mm) Series Temperature Controls _____ P17



KSD301C Heat Sequencers - Time Delay _____ P23



KSD301C Series Temperature Sensing Controls _____ P26

Catalog Revision A

This catalog features our most popular thermostats and temperature controls. This is a small sampling of the many configurations and variations that we offer. We welcome the opportunity to discuss any requirements that you may have. **Please send your inquiries to: sales@zettlercontrols.com**

ZETTLER Controls, Inc.



KSD301A 1/2" (12.7mm) Series Snap-Action Temperature Controls

Similar to TOD Series 36T

Specifications


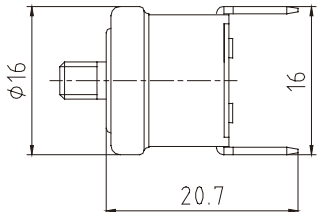
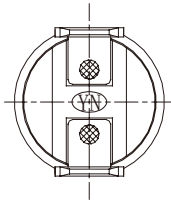
1. Electrical Ratings: AC120V 5A, 10A, 16A, AC250V 10A, 16A, 20A
2. OFF Temperature Range
 - a. Ceramic: -0°C ~ 250°C (-32F~ 482°F)
 - b. Bakelite: -30°C ~ 150°C (-22F~ 287°F)
3. Tolerance: Min ± 2°C Standard ± 5°C
4. A variety of terminal, switch case and mounting configurations are available for maximum design flexibility
5. NOTE: Please contact us to discuss specific custom requirements


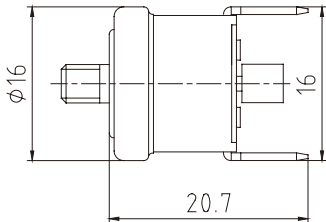
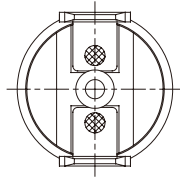
Applications:

Boiler, Water Heater, Vacuum Cleaner, Copier, Electric Stove, Oven, Dryer, Refrigerator, Dish Washer, Air-Conditioning etc.

Approvals: UL CQC TUV VDE CUL CE


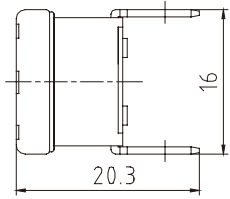
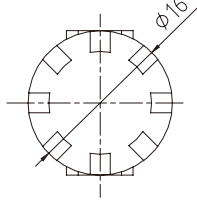

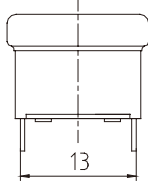
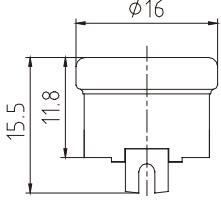

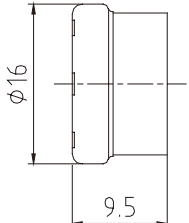
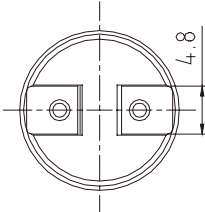

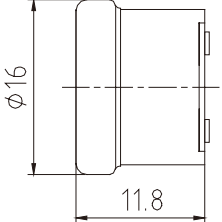
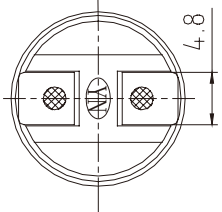

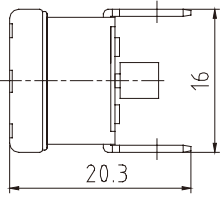
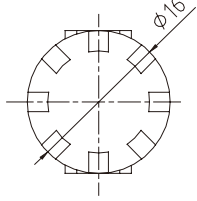
UL LZGH2/8 certified for use with A2L refrigerant versions available

 <p style="text-align: right;">A013</p>		 <p style="text-align: right;">Material: Bakelite Ceramic PPS</p>
---	--	---


 <p style="text-align: right;">A013R</p>		 <p style="text-align: right;">Material: Bakelite Ceramic</p>
--	---	---

ZETTLER Controls, Inc.

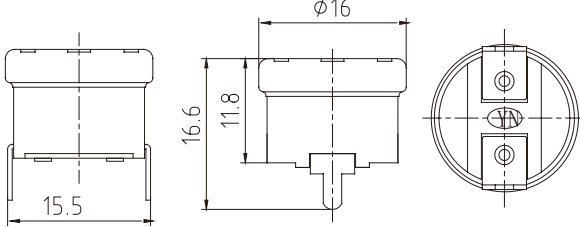


 <p>A113</p>			<p>Material: Bakelite Ceramic PPS</p>
 <p>A113B</p>			<p>Material: Bakelite Ceramic PPS</p>
 <p>A113E</p>			<p>Material: Bakelite</p>
 <p>A113F</p>			<p>Material: Bakelite Ceramic PPS</p>
 <p>A113R</p>			<p>Material: Bakelite Ceramic</p>


ZETTLER Controls, Inc.



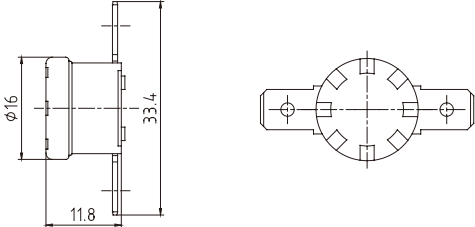
A113T




Material:
Bakelite
Ceramic
PPS



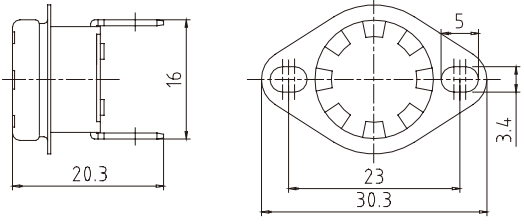
A114




Material:
Bakelite
Ceramic
PPS



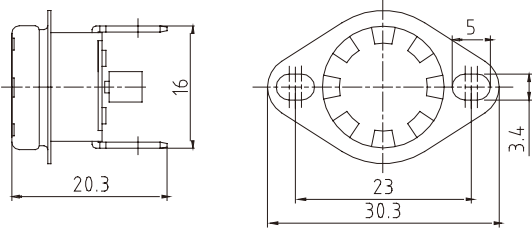
A313




Material:
Bakelite
Ceramic
PPS



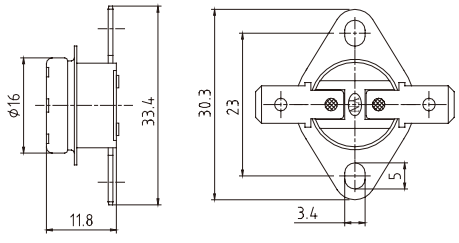
A313R



Material:
Bakelite
Ceramic




A314



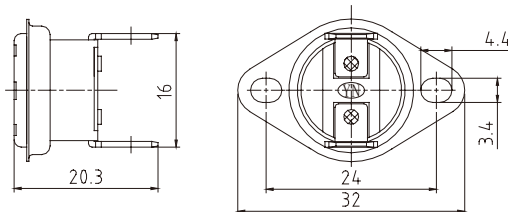
Material:
Bakelite
Ceramic
PPS

ZETTLER Controls, Inc.






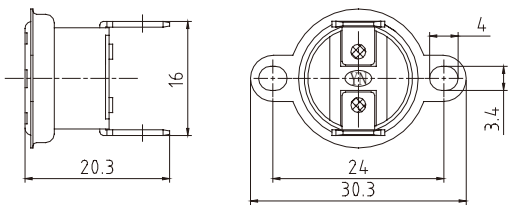
A323




Material:
Bakelite
Ceramic
PPS



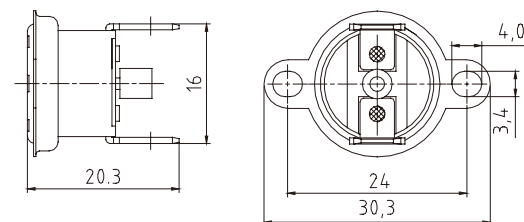
A333




Material:
Bakelite
Ceramic
PPS



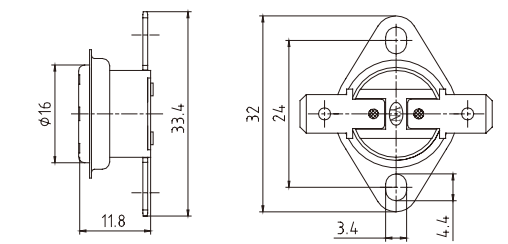
A333R




Material:
Bakelite
Ceramic



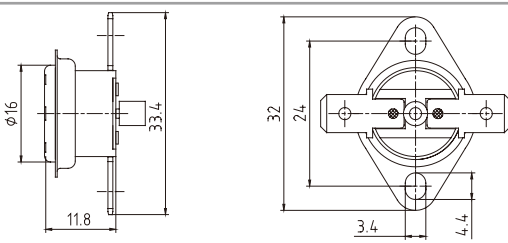
A324



Material:
Bakelite
Ceramic
PPS




A324R

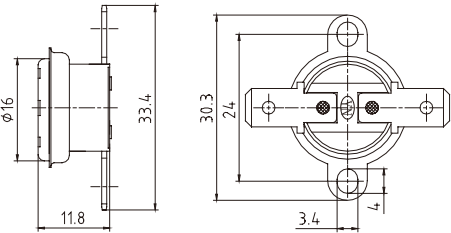


Material:
Bakelite
Ceramic


ZETTLER Controls, Inc.



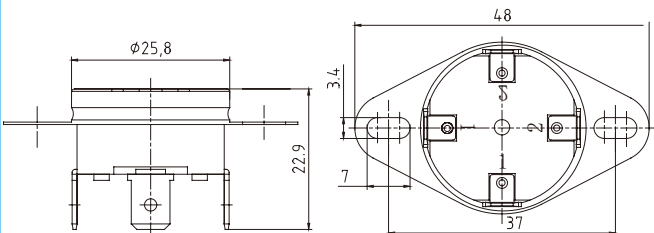
A334




Material:
Bakelite
Ceramic
PPS



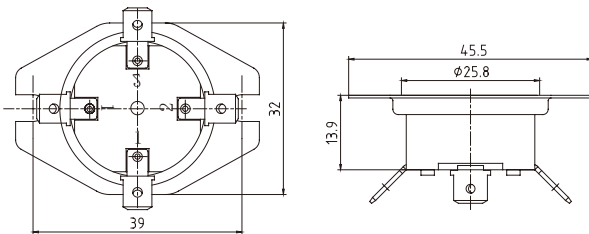
A443




Material:
Bakelite



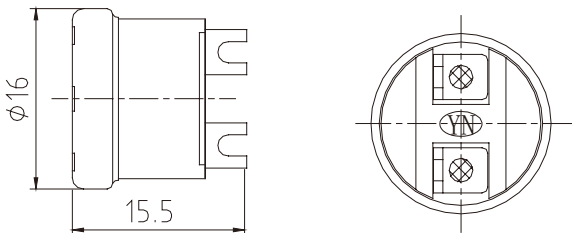
A443R




Material:
Bakelite



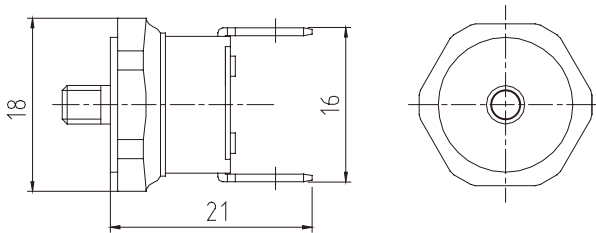
A617



Material:
Bakelite
Ceramic
PPS




A813



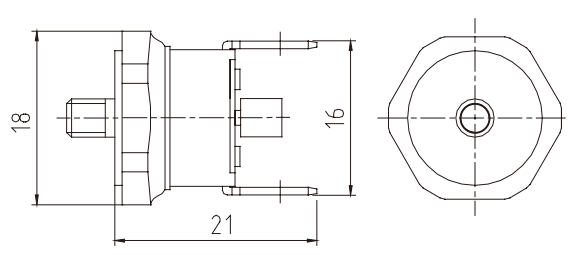
Material:
Bakelite
Ceramic
PPS

ZETTLER Controls, Inc.






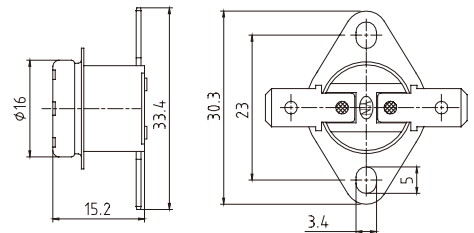
A813R




Material:
Bakelite
Ceramic
PPS



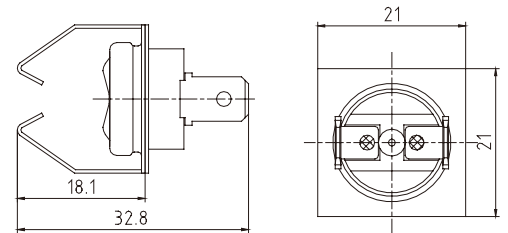
PTC




Material:
Bakelite



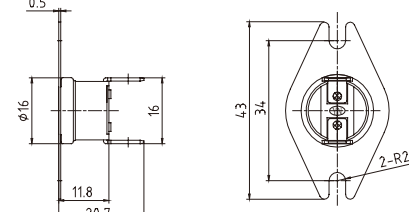
A2-002R




Material:
Bakelite
Ceramic



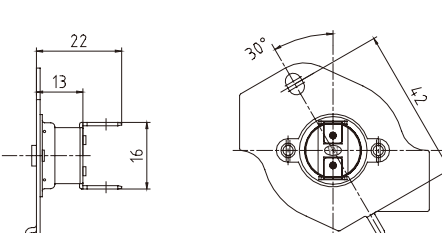
A2-003



Material:
Bakelite
Ceramic
PPS



A2-007C

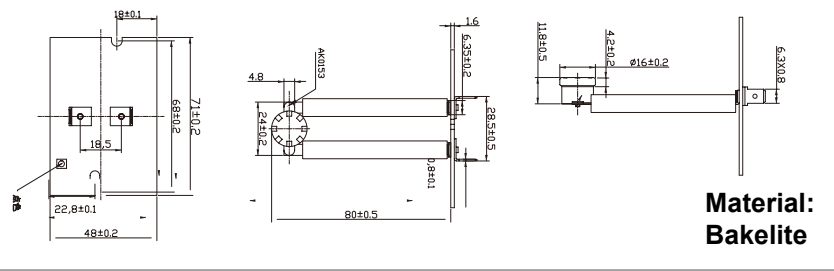


Material:
Bakelite
Ceramic

ZETTLER Controls, Inc.



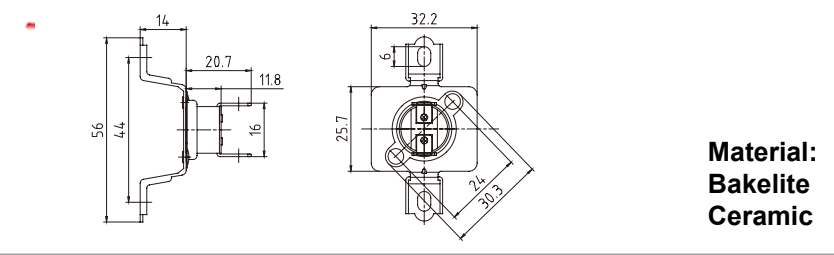
A2-009
A2-027



Material:
Bakelite



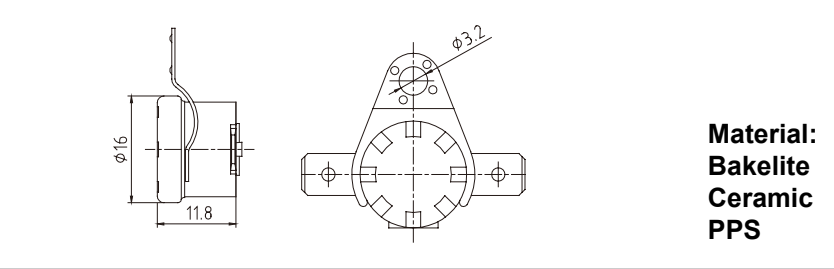
A2-010



Material:
Bakelite
Ceramic



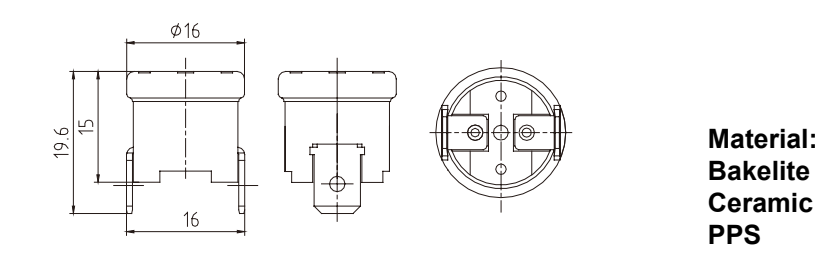
A2-018



Material:
Bakelite
Ceramic
PPS



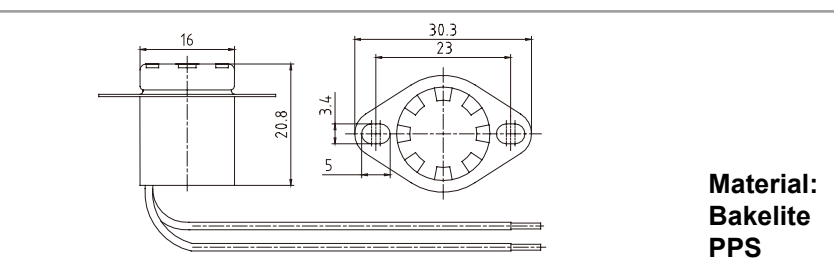
A2-022B



Material:
Bakelite
Ceramic
PPS



A2-029

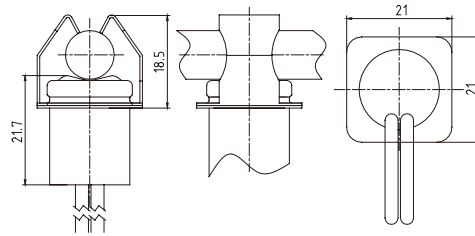


Material:
Bakelite
PPS

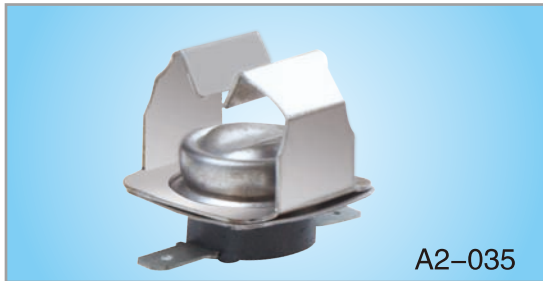
ZETTLER Controls, Inc.



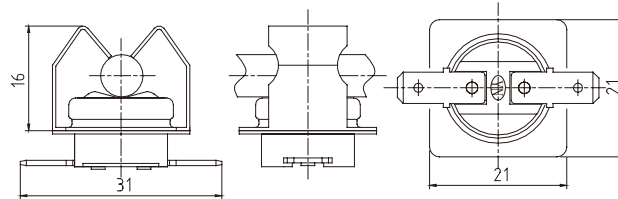
A2-030



Material:
Bakelite
PPS



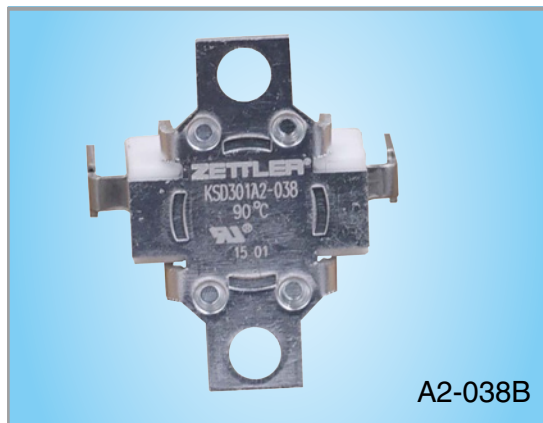
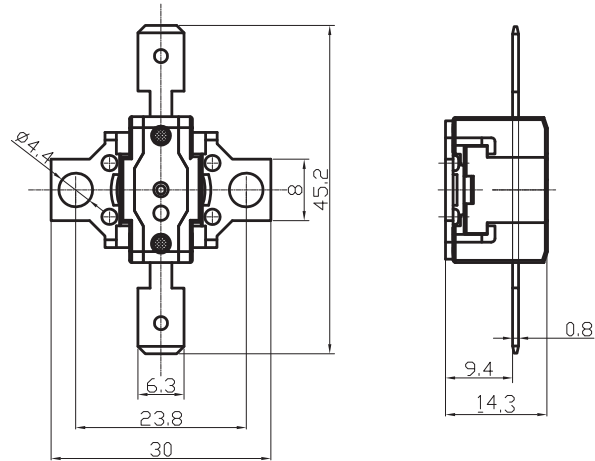
A2-035



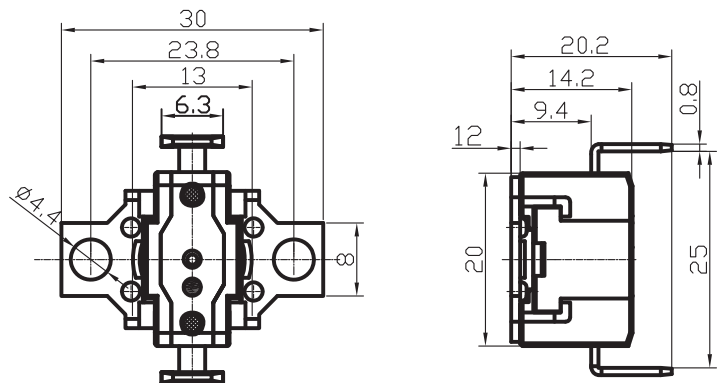
Material:
Bakelite
Ceramic
PPS



A2-038A



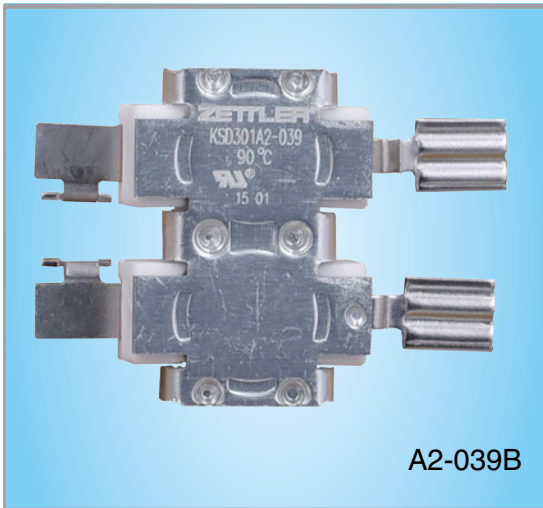
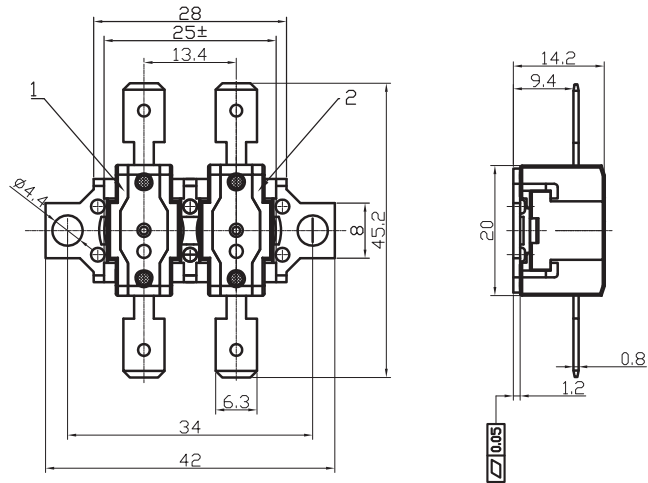
A2-038B



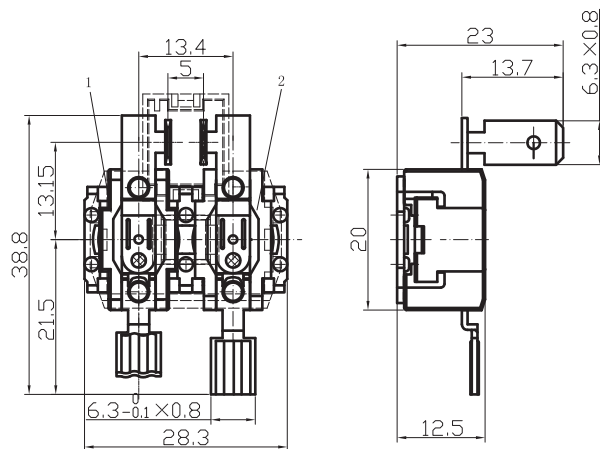
ZETTLER Controls, Inc.



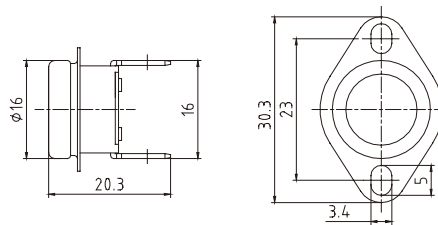
A2-039A



A2-039B



A2-613



Material:
Bakelite
Ceramic
PPS

ZETTLER Controls, Inc.

KSD301B Series Temperature Controls

Specifications


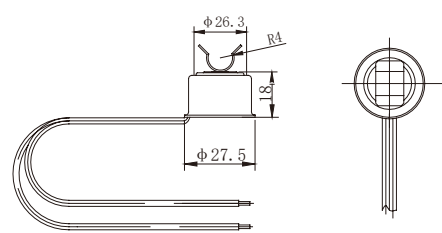

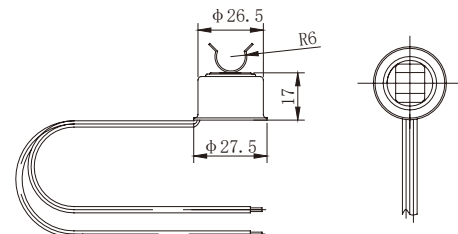
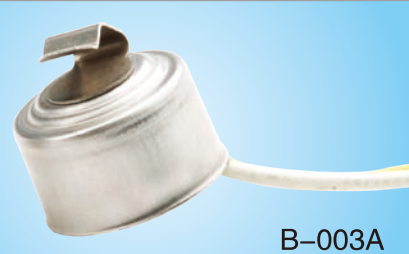
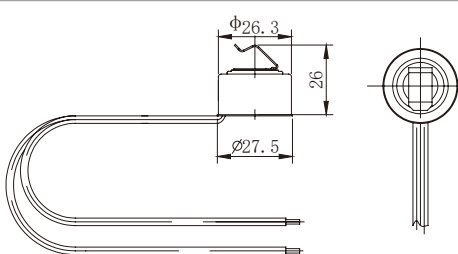
1. Electrical Ratings: AC120V/240V/277V 5A 15A, AC250V 10A 16A 25A
2. OFF Temperature Range -30°C ~ 105°C (-22°F~ 221°F)
3. Diff Temp: Min 5°C ; Standard 15~25°C
4. Tolerance: Min ± 3°C Standard ± 5°C
5. A variety of terminal, switch case and mounting configurations are available for maximum design flexibility
6. NOTE: Please contact us to discuss specific custom requirements

Applications:


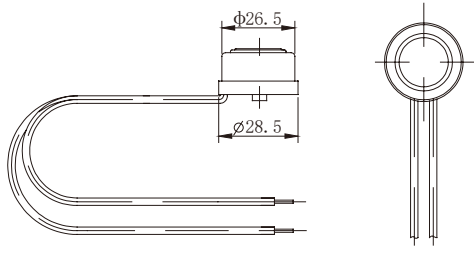

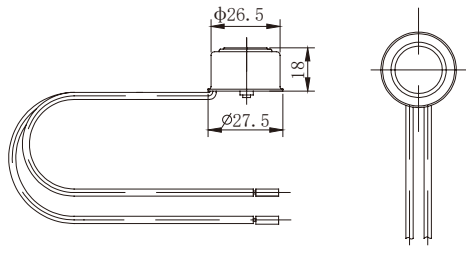

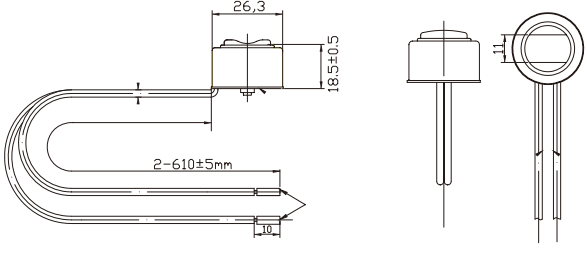

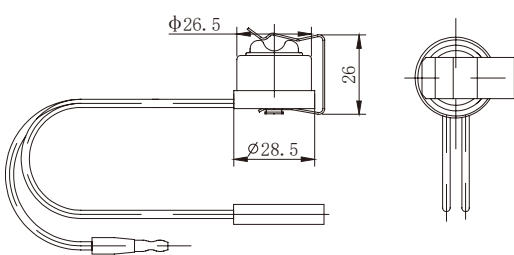

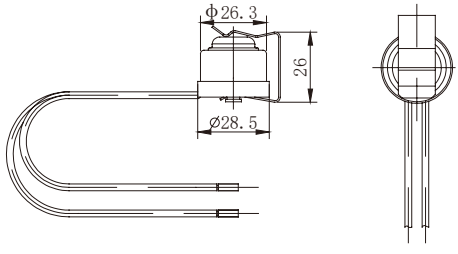
Refrigerator, Air-Conditioning, Ice maker, Freezer, etc.

Approvals: UL CQC TUV VDE CUL CE

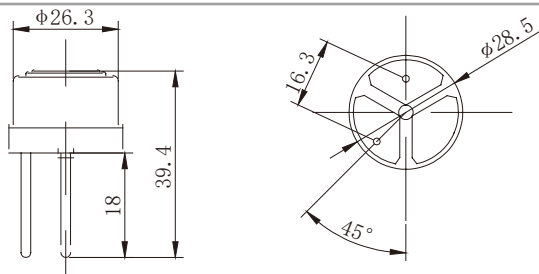
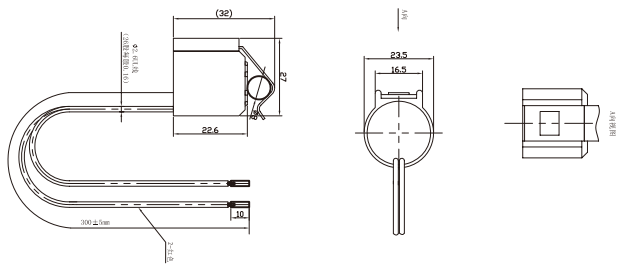
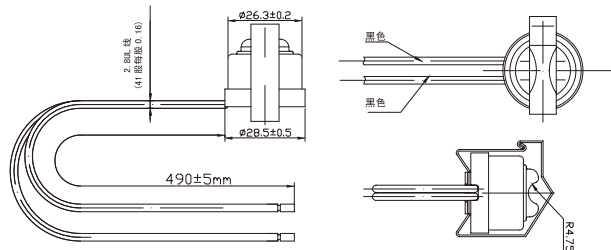
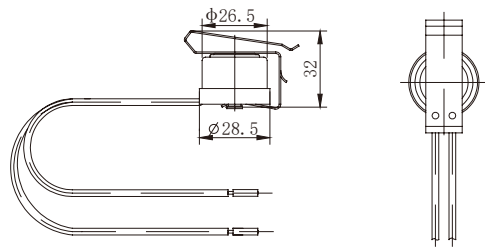
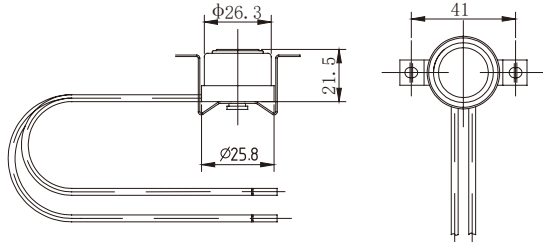
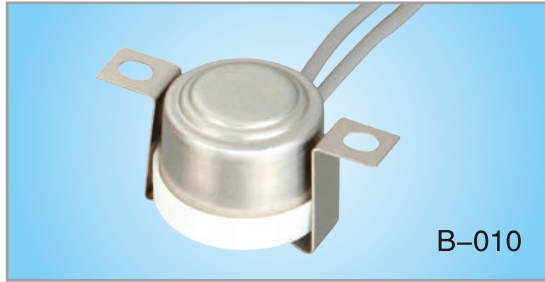
UL LZGH2/8 certified for use with A2L refrigerant versions available

 <p>B-001</p>	
 <p>B-002</p>	
 <p>B-003A</p>	

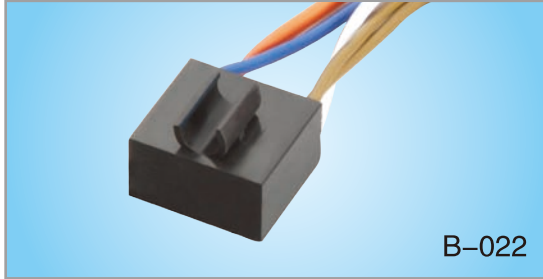
ZETTLER Controls, Inc.

 <p>B-004</p>	
 <p>B-006</p>	
 <p>B-006B (φ 16)</p>	
 <p>B-007</p>	
 <p>B-008</p>	

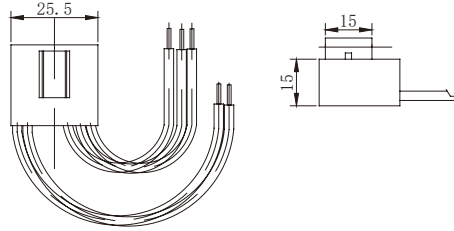
ZETTLER Controls, Inc.



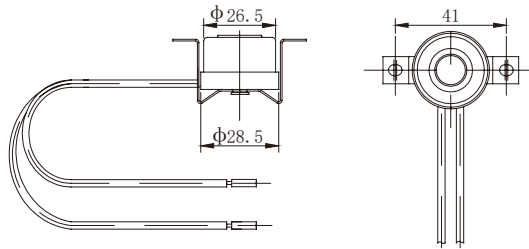
ZETTLER Controls, Inc.



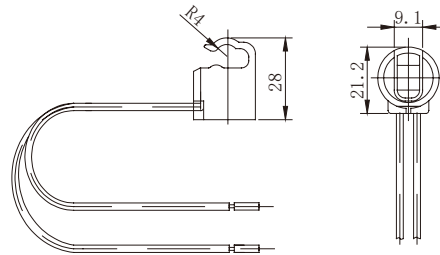
B-022



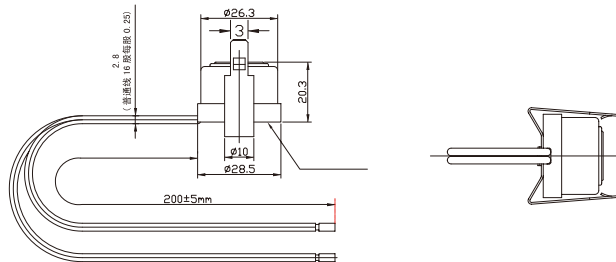
B-023



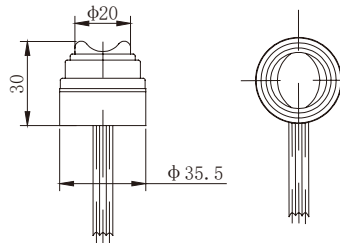
B-024



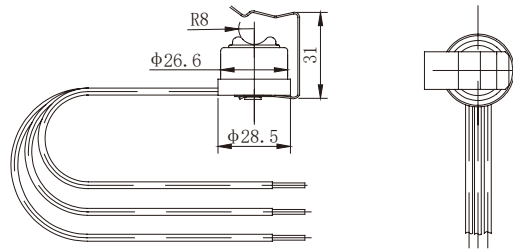
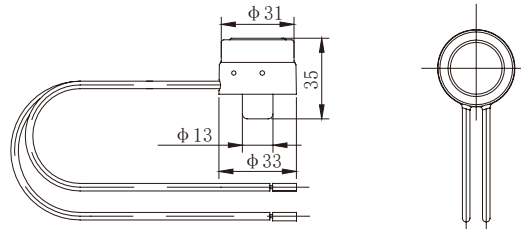
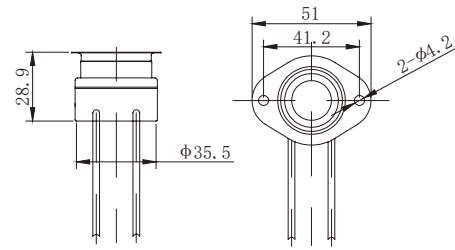
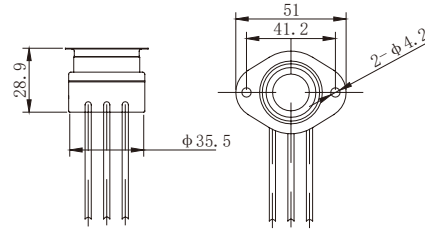
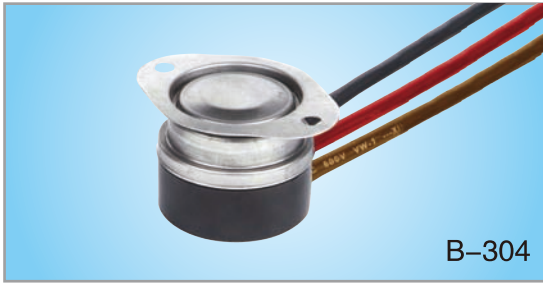
B-025



B-301



ZETTLER Controls, Inc.



ZETTLER Controls, Inc.

KSD301C 3/4" (19mm) Series Temperature Controls

Specifications

Similar to TOD Series 60T

1. Electrical Ratings: AC125V 5A 15A, AC250V 5A 10A 16A
2. OFF Temperature Range:
3. Bakelite: Automatic -30°C ~ 150°C; 30°C ~ 150°C
4. Tolerance: Automatic: Min ± 3°C Standard ± 5°C, Manual: Min ± 4°C Standard ± 5°C
5. A variety of mounting flanges are available to meet the insulation requirements.

Applications:

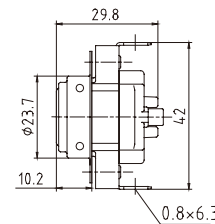
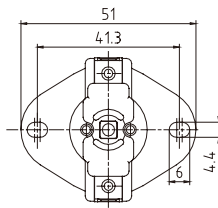
Air Conditioners, heating and ventilating equipment, vending machines, dryers, unit heaters, tabletop appliances, etc.

Approvals: UL CQC TUV VDE CUL

UL LZGH2/8 certified for use with A2L refrigerant versions available



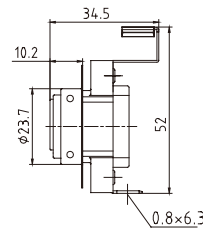
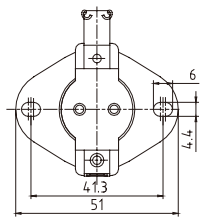
C-001R



Material:
a. Bakelite
Load:
250V / 25A
Switch Action:
SPST



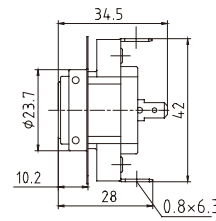
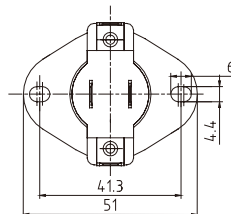
C-002



Material:
a. Bakelite
Load:
250V / 25A 600V / 15A
Switch Action:
SPST




C-003



Material:
a. Bakelite
Load:
250V / 25A 600V / 15A
Switch Action:
SPST

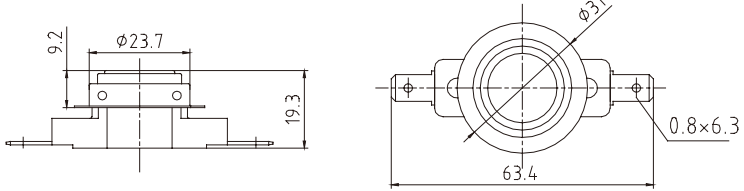
ZETTLER Controls, Inc.






C-004

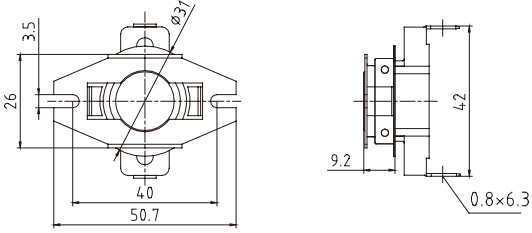
Material: a. Bakelite **Load:** 250V / 25A 600V / 15A **Switch Action:** SPST






C-004A

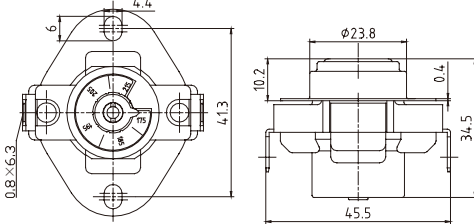
Material: a. Bakelite
Load: 250V / 25A
Switch Action: SPST






C-005

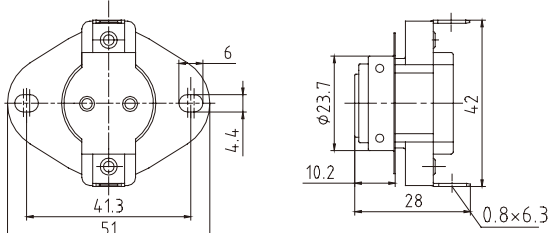
Material: a. Bakelite
Load: 250V / 25A
Switch Action: SPST






C-007

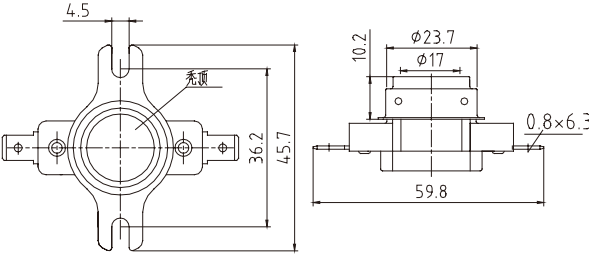
Material: a. Bakelite
Load: 250V / 25A 600V / 15A
Switch Action: SPST





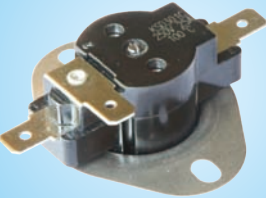
C-007S

Material: a. Bakelite
Load: 250V / 25A 600V / 15A
Switch Action: SPST

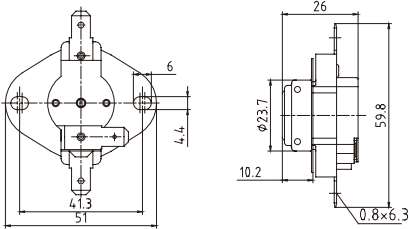


ZETTLER Controls, Inc.







C-008



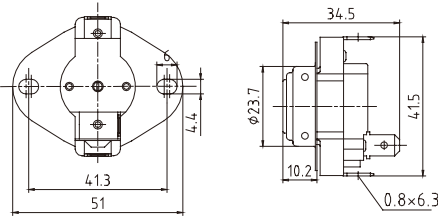
Material:
a. Bakelite

Load:
250V / 25A 600V / 15A

Switch Action:
SPDT



C-008B **C-008C**



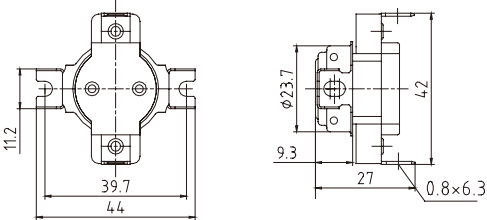
Material:
a. Bakelite

Load:
250V / 25A 600V / 15A

Switch Action:
SPDT


C-009 **C-009B**



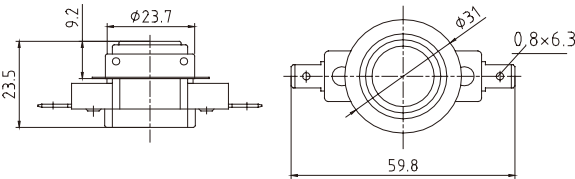
Material:
a. Bakelite

Load:
250V / 25A 600V / 15A

Switch Action:
SPST





C-011



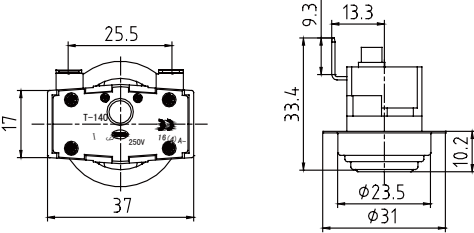
Material:
a. Bakelite, b. Ceramic

Load:
250V / 25A 600V / 15A

Switch Action:
SPST

C-013R **C-013**




Material:
a. Bakelite

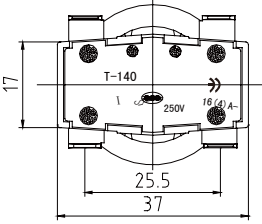
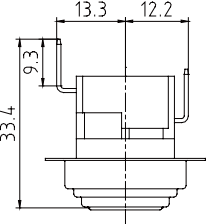
Load:
250V / 25A

Switch Action:
SPST

ZETTLER Controls, Inc.









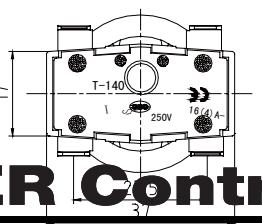
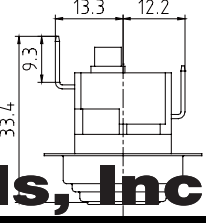
Material:
a. Bakelite

Load:
250V / 16A

Switch Action:
SPST DPST

C-014(4Pin)



Material:
a. Bakelite

Load:
250V / 16A

Switch Action:
SPST DPST


C-014R(4Pin)

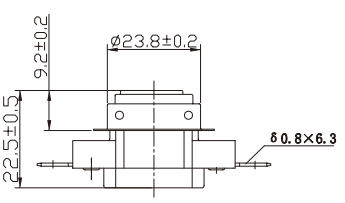
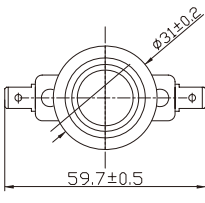
ZETTLER Controls, Inc.

Phone: (949) 360-5840

www.zettlercontrols.com

E-Mail: sales@zettlercontrols.com







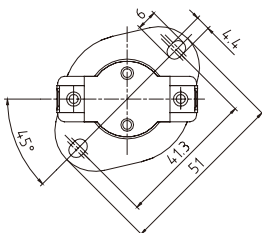
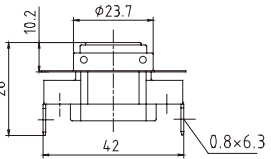
Material:
a. Bakelite b. Ceramic

Load:
250V / 25A 600V / 15A

Switch Action:
SPST

C-017







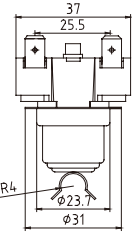
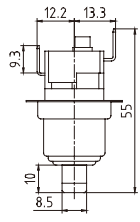
Material:
a. Bakelite b. Ceramic

Load:
250V / 25A 600V / 15A

Switch Action:
SPST

C-018



Material:
a. Bakelite

Load:
250V / 16A

Switch Action:
SPST DPST

C-021R


ZETTLER Controls, Inc.

Phone: (949) 360-5840

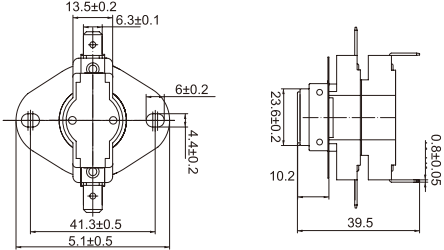
www.zettlercontrols.com

E-Mail: sales@zettlercontrols.com






C-022



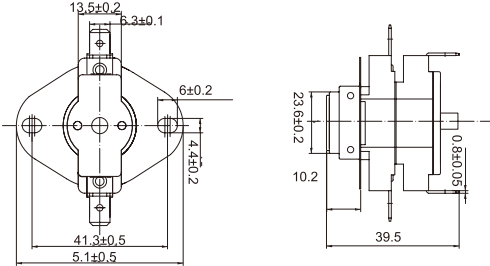
Material:
a. Bakelite

Load:
250V / 25A

Switch Action:
DPST 2SPST




C-022R



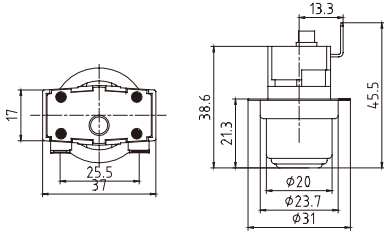
Material:
a. Bakelite

Load:
250V / 25A

Switch Action:
DPST 2SPST




C-023R



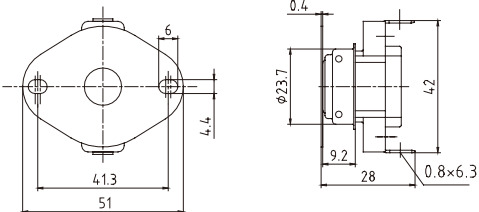
Material:
a. Bakelite

Load:
250V / 16A

Switch Action:
SPST




C-025



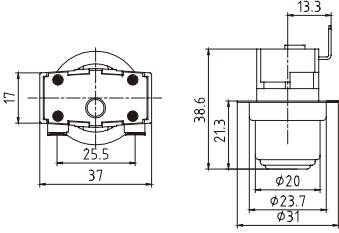
Material:
a. Bakelite b. Ceramic

Load:
250V / 25A 600V / 15A

Switch Action:
SPST



C-027



Material:
a. Bakelite


Load:
250V / 16A

Switch Action:
SPST

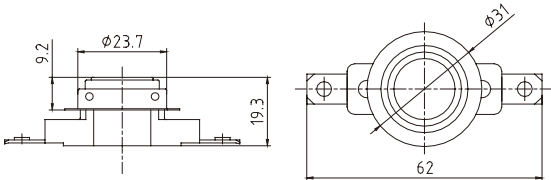
Terminal:
Nickell plated Brass

ZETTLER Controls, Inc.






C-301



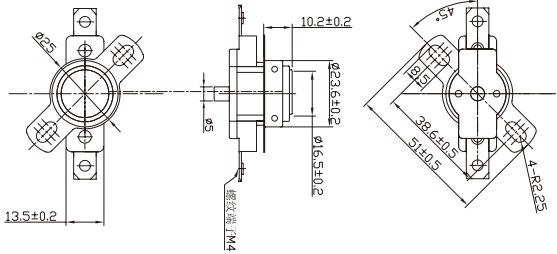
Material:
a. Bakelite

Load:
250V / 45A

Switch Action:
SPST




C-301R



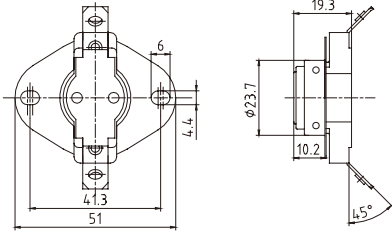
Material:
a. Bakelite

Load:
250V / 45A

Switch Action:
SPST




C-302



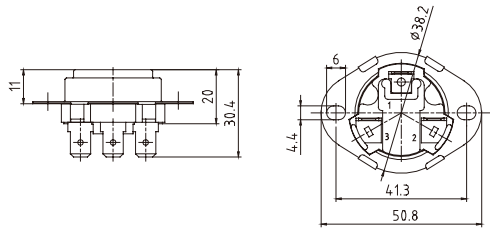
Material:
a. Bakelite

Load:
250V / 25A

Switch Action:
SPST



C-305



Material:
a. Bakelite

Load:
250V / 25A

Switch Action:
SPST

ZETTLER Controls, Inc.

KSD301C Heat Sequencers - Time Delays

Features

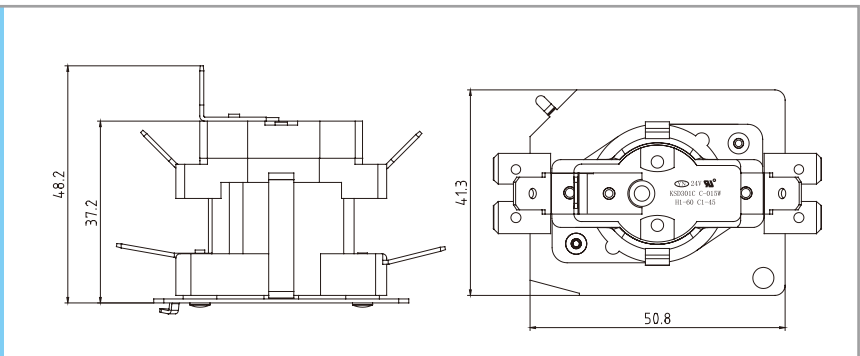
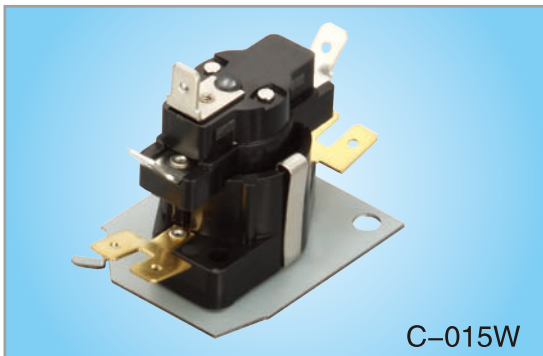
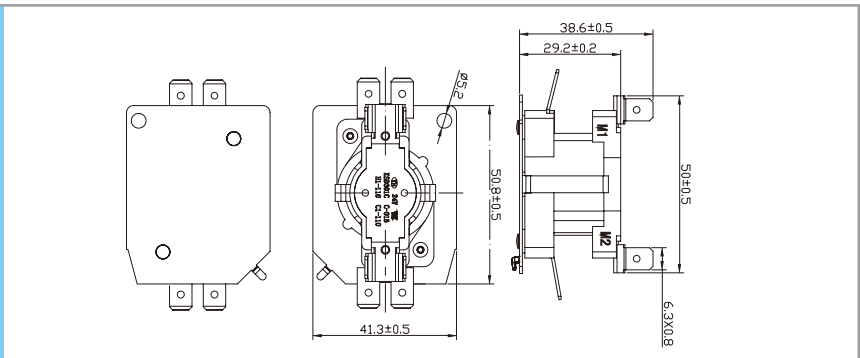
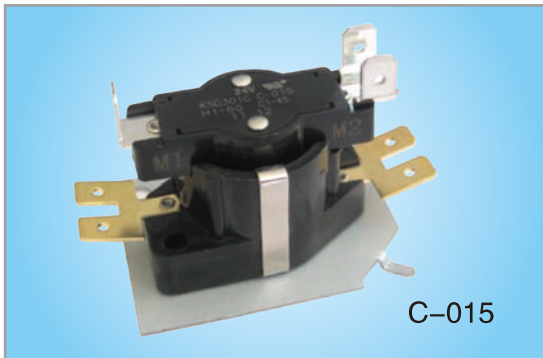
Controls the delayed operation of heating elements or fans in electric furnaces and heat pumps
 Combines a solid-state positive temperature coefficient (PTC) heater, Option of single, double, or three independent timing contacts.
 UL and CUL approval

Applications

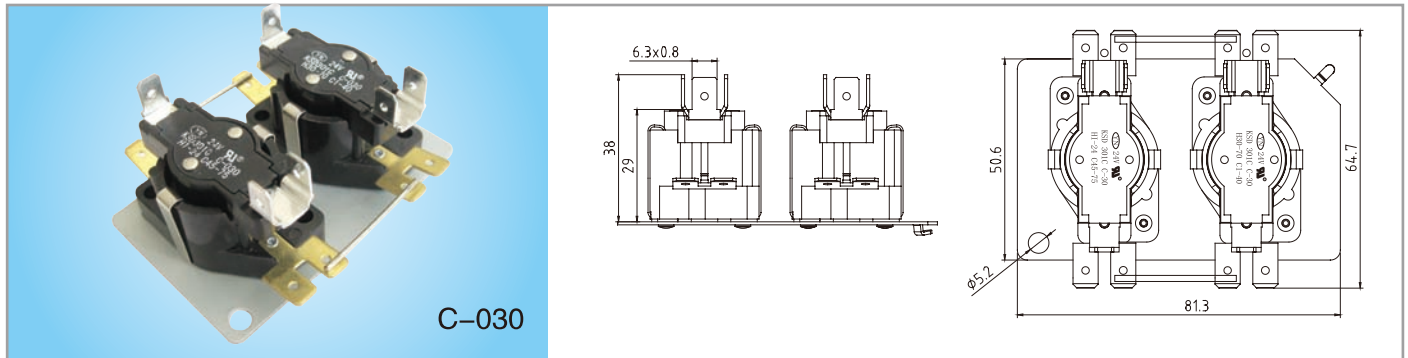
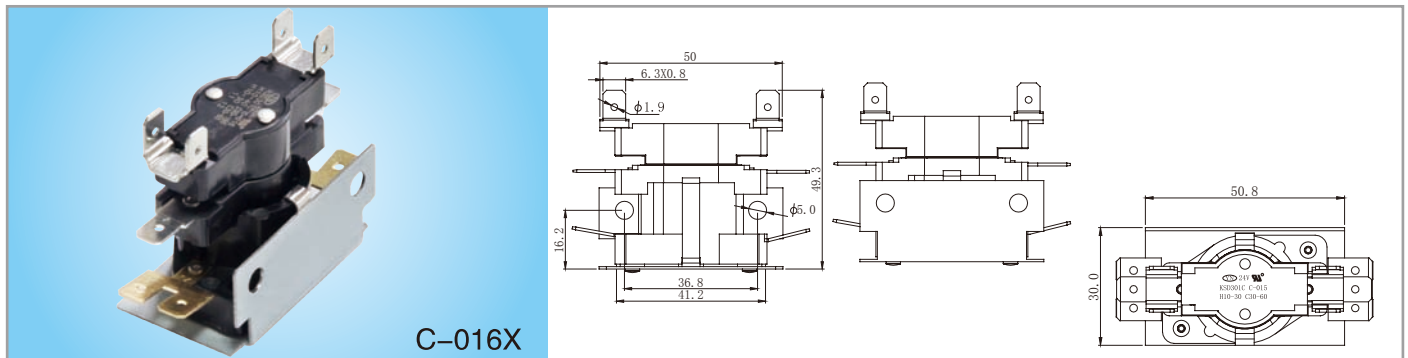
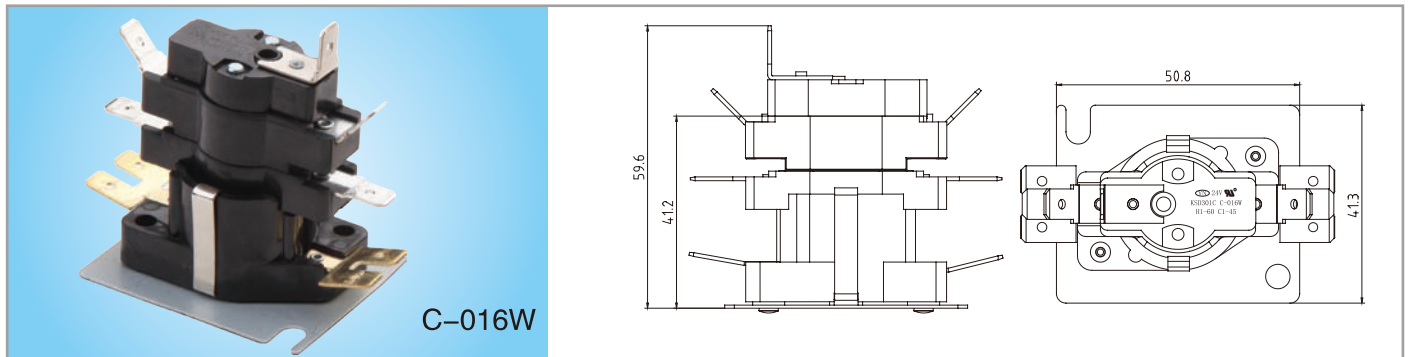
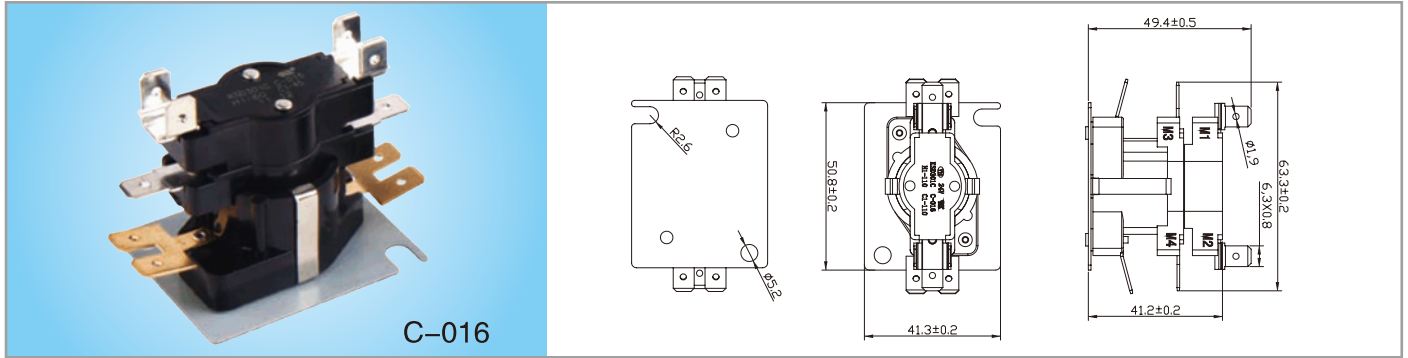
Electric Furnaces, Heat Pumps, Gas Furnaces, etc.

Approvals: UL CUL

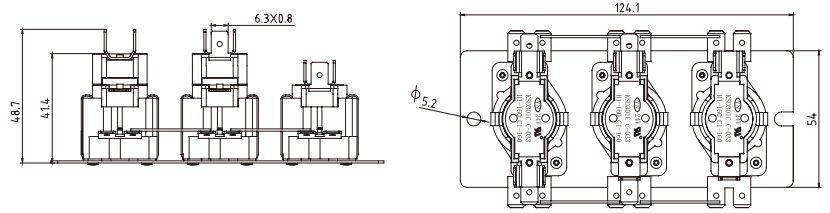
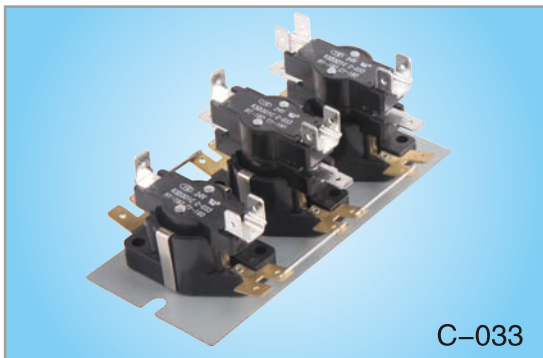
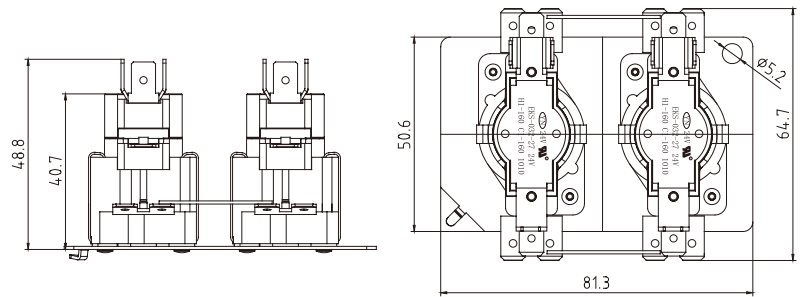
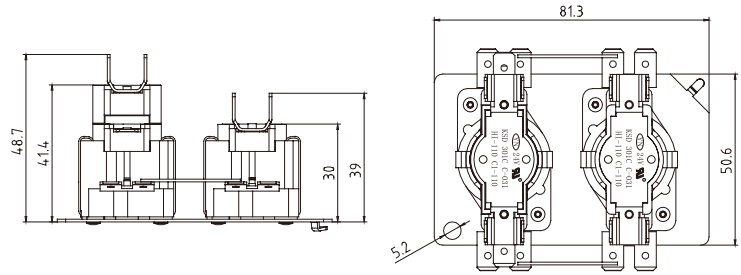
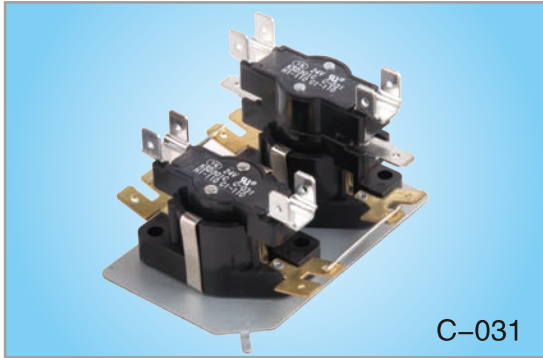
UL LZGH2/8 certified for use with A2L refrigerant versions available



ZETTLER Controls, Inc.



ZETTLER Controls, Inc.



ZETTLER Controls, Inc.

KSD301C Series Temperature Sensing Controls


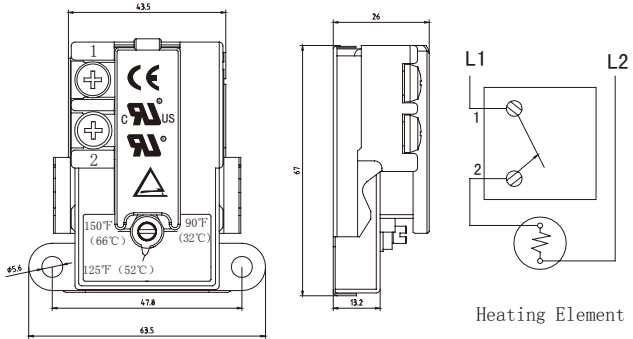

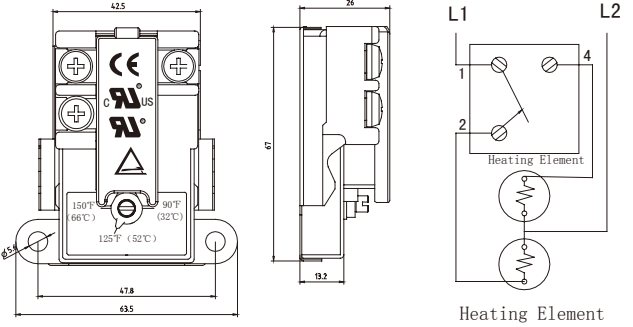

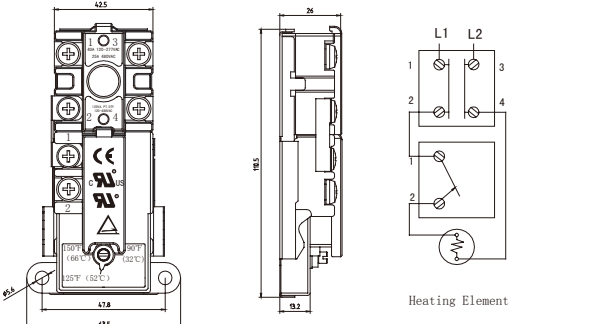
UNIVERSAL REPLACEMENTS FOR ELECTRIC
WATER HEATER THERMOSTATS
Panel Mount Temperature Sensing Controls

Features

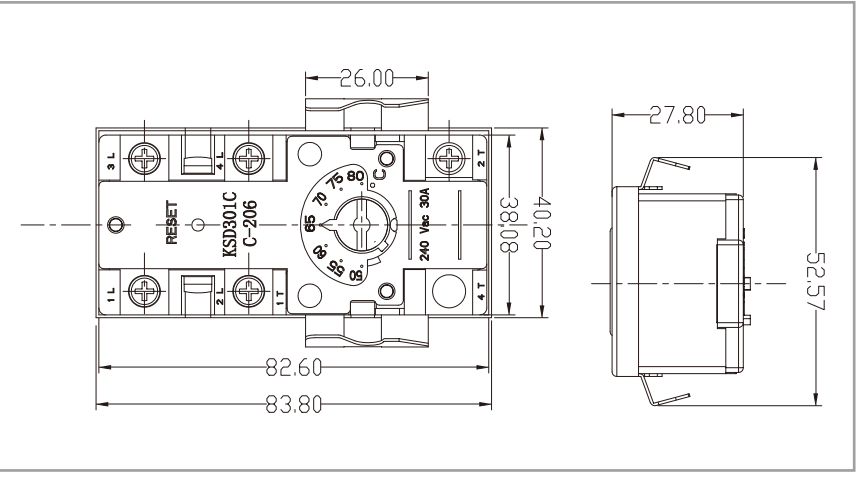
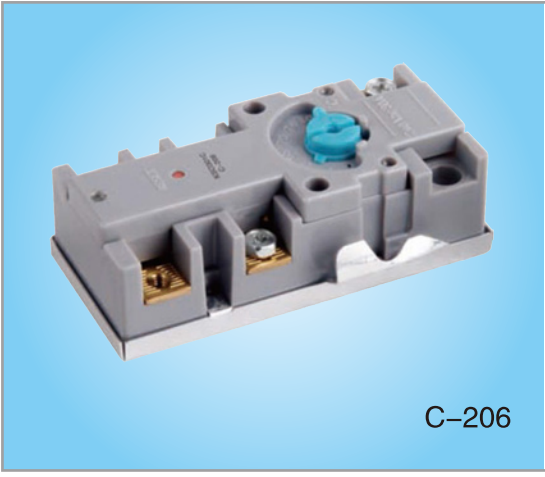
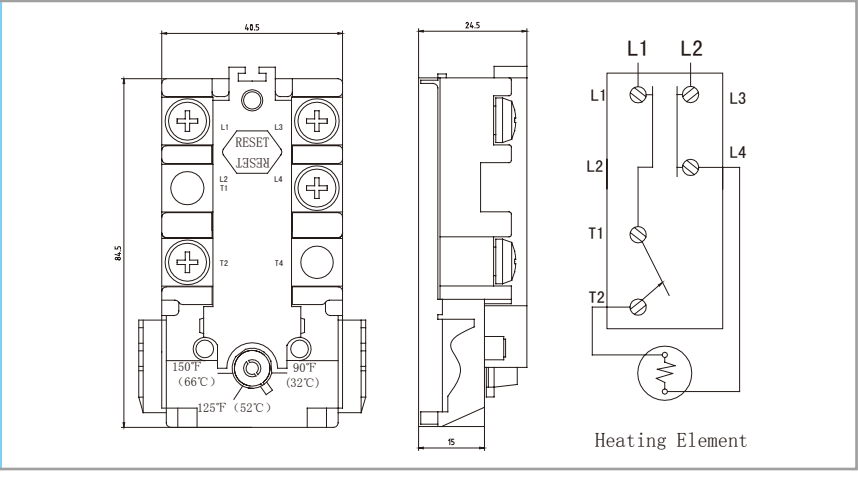
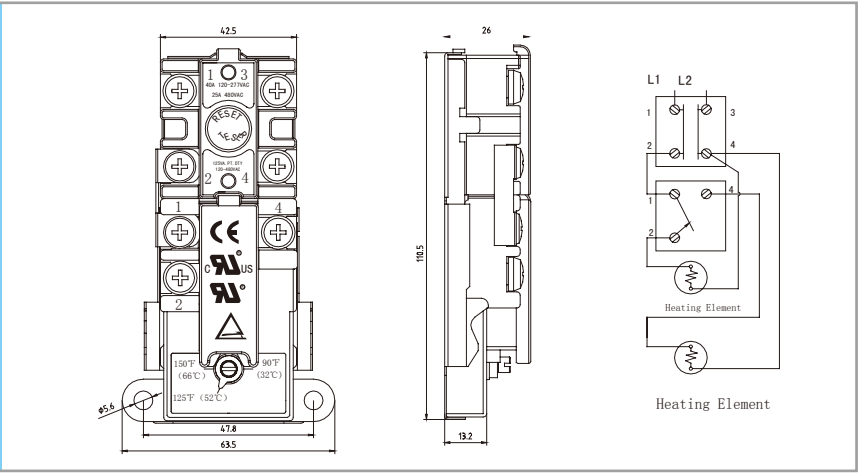
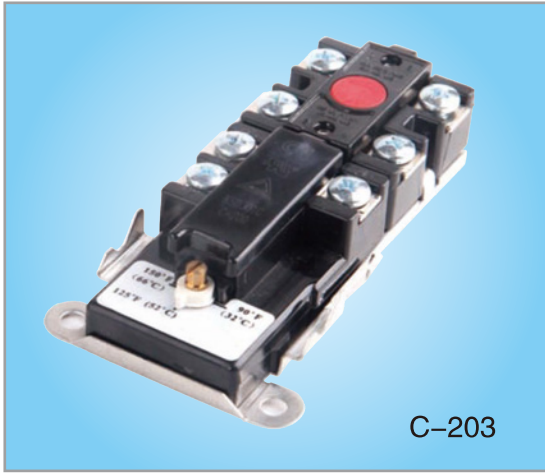
1. High Electrical capacity
2. Snap-Action cont
3. Long life-proven reliability
4. Adjustable control or manual reset style

Approval: UL TUV CUL CE

UL LZGH2/8 certified for use with A2L refrigerant versions available

 <p style="text-align: right;">C-200</p>	 <p style="text-align: right;">Heating Element</p>
 <p style="text-align: right;">C-201</p>	 <p style="text-align: right;">Heating Element</p>
 <p style="text-align: right;">C-202</p>	 <p style="text-align: right;">Heating Element</p>

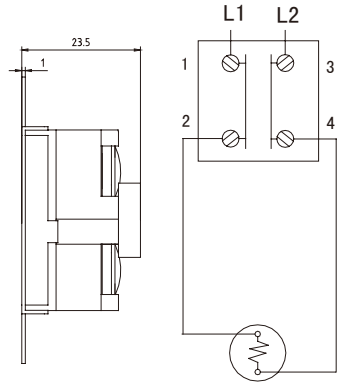
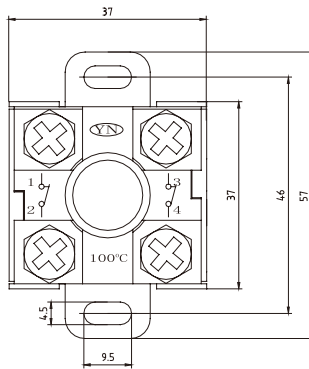
ZETTLER Controls, Inc.



ZETTLER Controls, Inc.



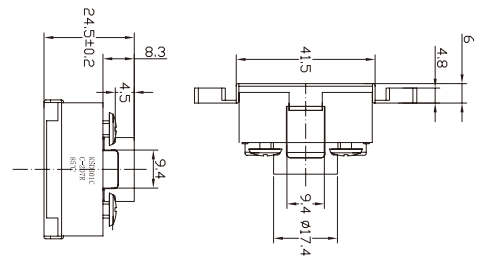
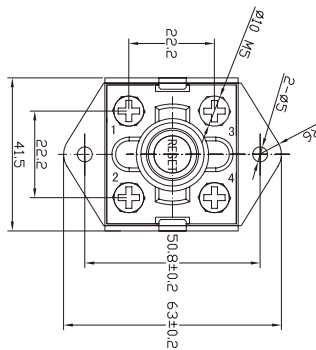
C-207



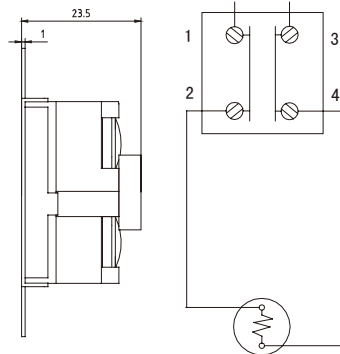
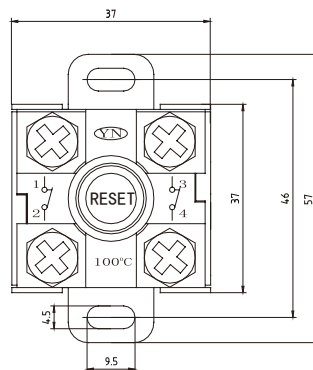
Heating Element



C-207C

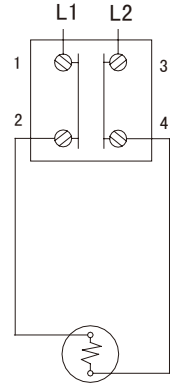
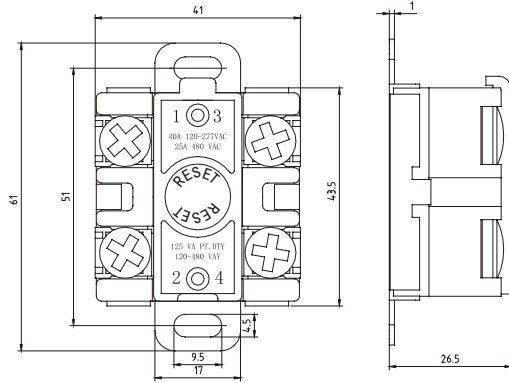


C-207R

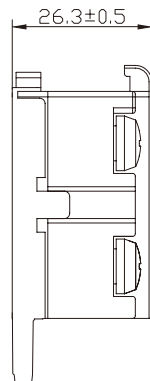
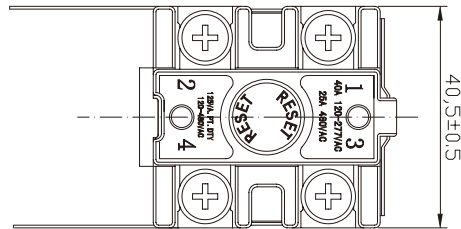
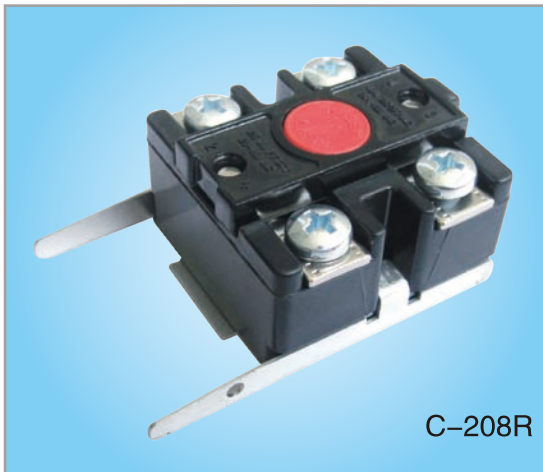


Heating Element

ZETTLER Controls, Inc.



Heating Element



ZETTLER Controls, Inc.

ZETTLER GROUP



ZETTLER CONTROLS, INC.

2410 Birch St
Vista, CA, 92081
TEL: 949-360-5840
FAX: 949-360-5839
E-Mail: sales@zettlercontrols.com
WEB: www.zettlercontrols.com



ZETTLER CONTROLS (Ningbo) CO., LTD

No. 16 Xingue Road
Yangming Industrial Park
Yuyao, Zhejiang 315400
China
Tel: +86 574 88036255
Fax: +86 574 88005132
WEB: www.zettlercontrolscn.com



ZETTLER ELECTRONICS GmbH - GERMANY

Junkersstrasse 3
82178 Puchheim
Germany
TEL: +49 89 800 97 0
FAX: +49 89 800 97 200
WEB: www.zettlerelectronics.com



ZETTLER CONTROLS (HK) LTD

Unit 2A, Wing Tai Center
No. 12 Hing Yip Street Kwun Tong Kowloon,
Hong Kong
TEL: +852 2375 1288
FAX: +852 2375 7433
WEB: www.zettlerhk.com



ZETTLER ELECTRONICS POLAND sp.z.o.o.

Osadnikow Wojskowych 40
68-200 Zary
Poland
TEL: +48 68 47 91 437
FAX: +48 68 47 91 439
WEB: www.zettlerelectronics.pl



XIAMEN ZETTLER ELECTRONICS CO., LTD

6-7/F Yinfeng Building, No. 48-50 Huli Ave
Huli District
Xiamen 361006
China
TEL: +86 592 2650 988
FAX: +86 592 2650 900
WEB: www.zettlercn.com

Other Zettler Group Companies:

AMERICAN ZETTLER, INC - Relays www.azettler.com
ZETTLER MAGNETICS - Transformers www.zettlermagnetics.com
AZ DISPLAYS - LCD'S www.azdisplays.com