

ZC Kickstart® Hard Start Series

DESCRIPTION

Kickstart® Hard Starts are the only pre-assembled, 2-wire, easy-to-install starting devices that utilize the superior sensing capability of a potential relay in combination with a start capacitor. These devices work on all 1 - 5 HP single-phase 208V, 230V, 265V air conditioning, heat pump and refrigeration compressors - reciprocating, scroll and rotary.



KICKSTART® HARD START

FEATURES

- Covering applications from 1 to 5 ton units
- For Single Phase 208V, 230V, and 265V HVAC/R Applications (1-5 HP)
- Component rated life expectancy of 50k cycles
- Instant Restarts
- UL/CSA and CE recognized
- 2 Wire non-polarized system
- OEM versions available on request

APPLICATIONS

FOR HVAC/R

- 1 – 5 HP single-phase 208V, 230V, 265V air conditioning, heat pump, and refrigeration compressors - reciprocating, scroll and rotary.

CAPACITOR DATA

KS1	
Capacitance	270-324 MFD
VAC	330
Frequency	50/60 Hz
Dimensions	52.37mm x 111.12mm
KS8	
Capacitance	108-130 MFD
VAC	250
Frequency	50/60 Hz
Dimensions	52.37mm x 111.12mm
TO-5	
Capacitance	189-227 MFD
VAC	250
Frequency	50/60 Hz
Dimensions	52.37mm x 111.12mm

GENERAL DATA

Life Cycles	50,000 Starts
U.S. Patent	5162718 et al.

ORDERING INFORMATION

Part #'s
KS-1
KS-8
TO-5

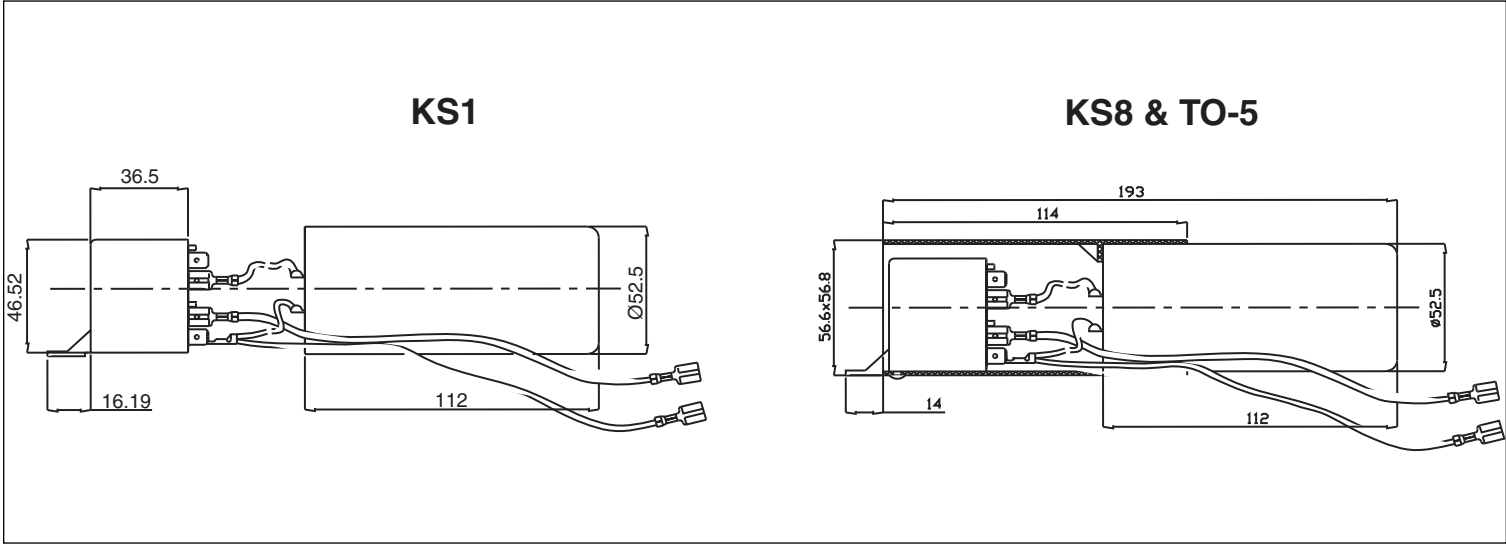
ZETTLER Controls, Inc. www.zettlercontrols.com

75 Columbia • Aliso Viejo, CA 92656 • Phone: (949) 360-5840 • Fax: (949) 360-5839 • E-Mail: sales@zettlercontrols.com

10/5/06W

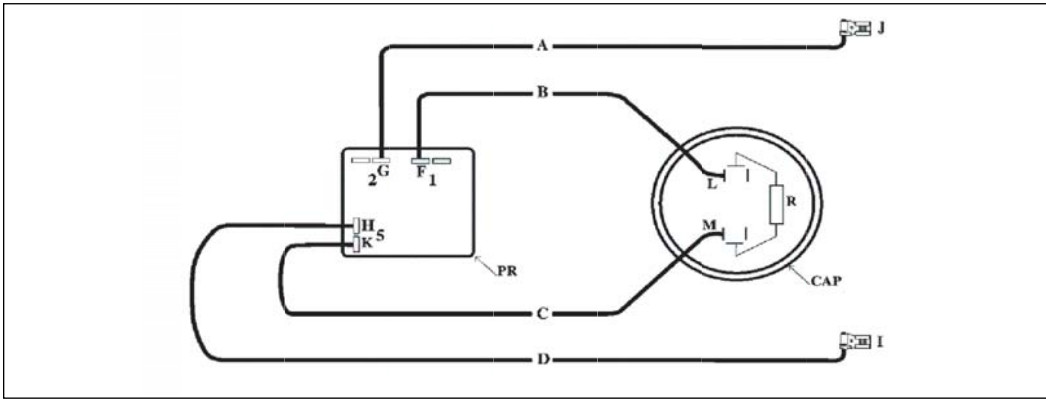
ZC Kickstart[®] Hard Start Series

DIMENSIONS



NOTE: Dimensions in mm.

WIRING DIAGRAM



ZETTLER Controls, Inc. www.zettlercontrols.com

75 Columbia • Aliso Viejo, CA 92656 • Phone: (949) 360-5840 • Fax: (949) 360-5839 • E-Mail: sales@zettlercontrols.com