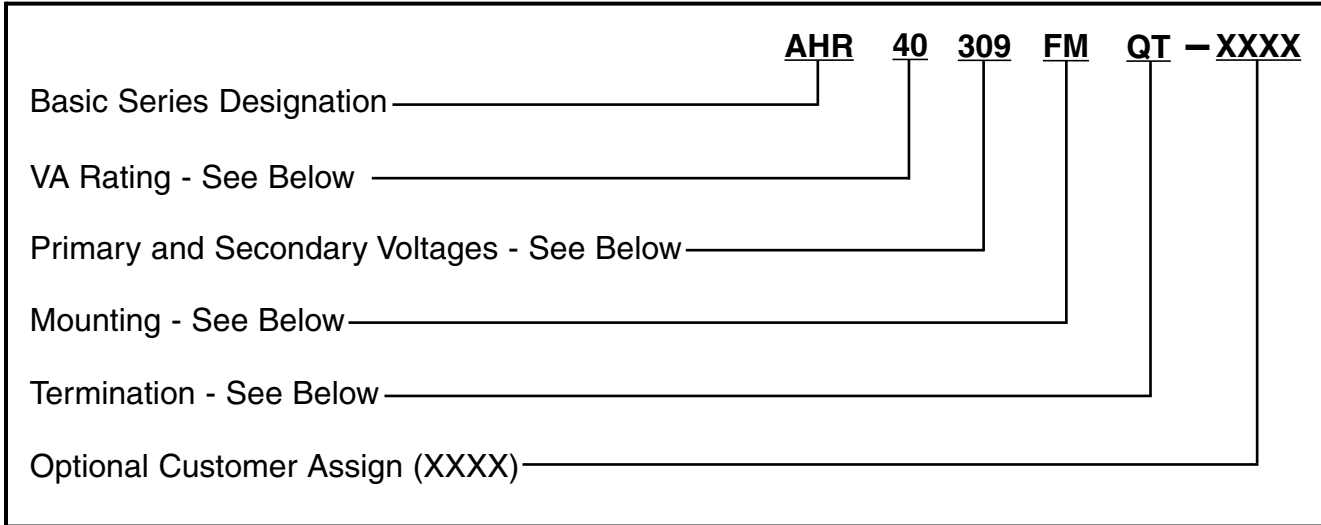


# ZC AHR Series

## 30 VA - 50 VA CLASS 2 UL 1585 TRANSFORMER ORDERING INFORMATION

### PART NUMBERING SYSTEM



Part number ordering information.

### VA RATINGS

Designator	Secondary VA
30	30
40	40
50	50

### PRIMARY AND SECONDARY VOLTAGES

Designator	Primary Volts	Secondary Volts	Freq. HZ
309*	120	24	60
310*	208/240	24	50/60
311*	120	24	50/60
312*	240	24	50/60
313*	277	24	50/60
314	480	24	50/60
315	380/415	24	50/60
316	575	24	50/60
317*	120/240	24	50/60
318*	120/208/240	24	50/60

\* 50 VA only available with these voltages

### MOUNTING

Designator	Mounting Type
FM	Foot Mount, Bracket
MM *	Multi Mount Adapter Plate
PM	Panel Mount, Lam Holes
FC *	Fan Center Screw Term.

\* 30VA & 40VA only

### TERMINATION

Designator	Mount
NIL	No QD or Wire
QT	Top Quick Disc.
Q1	One Side QD
Q2	Both Side QD
W	Wire Leads
QW	QD and Wires

### NOTES

1. This is a partial listing only, consult factory for your specific requirements. All voltage & VA combinations may not be available.
2. Example: AHR-40309FMQT-5555. This part is a 40VA Class II transformer with a 120V Primary and 24V Secondary. This is a foot mount transformer with top mounted quick disconnect terminals.

**ZETTLER Controls, Inc.** [www.zettlercontrols.com](http://www.zettlercontrols.com)

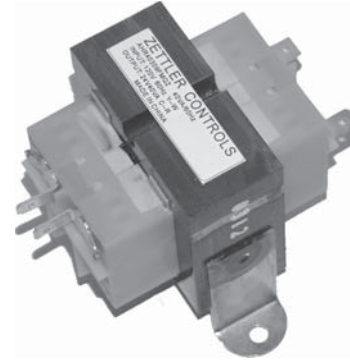
75 Columbia • Aliso Viejo, CA 92656 • Phone: (949) 360-5840 • Fax: (949) 360-5839 • E-Mail: [sales@zettlercontrols.com](mailto:sales@zettlercontrols.com)

# ZC AHR Series

## 30 VA - 50 VA QUICK CONNECT CLASS 2 UL 1585 TRANSFORMER

### FEATURES

- 30VA - 50 VA Inherently energy limited
- Compact frame size
- No secondary fusing required
- Low heat rise
- 50/60 Hz
- Input voltages 120-575 V, output 24 V
- Terminations with quick-connect top, one side, or both sides
- Panel mount, foot-mount, adapter plate
- Customization for wire length, color, terminations and other customer requirements
- Split bobbin design
- Class B insulation system 130°C rated
- UL/CUR File E214561



### GENERAL DATA

<b>Mounting Options</b>	Foot Mount, Bracket Multi Mount Adapter Plate (4 x 4) Panel Mount, Lam Holes
<b>Quick Connect Options</b>	QT - Top mounted QD terminals Q1 - One side QD terminals Q2 - Both side QD terminals
<b>Quick Connect Size</b>	Standard male quick connect terminals are .250 x .032.
<b>Frequency</b>	60 Hz, 50/60 Hz
<b>Insulation System</b>	130°C Class B
<b>Weight</b>	30 VA multi mount 1.86 lbs. 30 VA foot mount 1.50 lbs. 40 VA multi mount 2.14 lbs. 40 VA foot mount 1.78 lbs. 50 VA foot mount 2.48 lbs.

### STANDARD MODELS AVAILABLE

Prim./Sec. Voltage	30 VA Standard Model Designation	40 VA Standard Model Designation
120 - 24	AHR30309	AHR40309
208/240 - 24	AHR30310	AHR40310
120 - 24	AHR30311	AHR40311
240 - 24	AHR30312	AHR40312
277 - 24	AHR30313	AHR40313
480 - 24	AHR30314	AHR40314
380/415 - 24	AHR30315	AHR40315
575 - 24	AHR30316	AHR40316
120/240 - 24	AHR30317	AHR40317
120/208/240 - 24	AHR30318	AHR40318

### NOTES

Zettler Controls, Inc. can custom build transformers to many different specifications. Contact Zettler Controls, Inc. directly for more information.

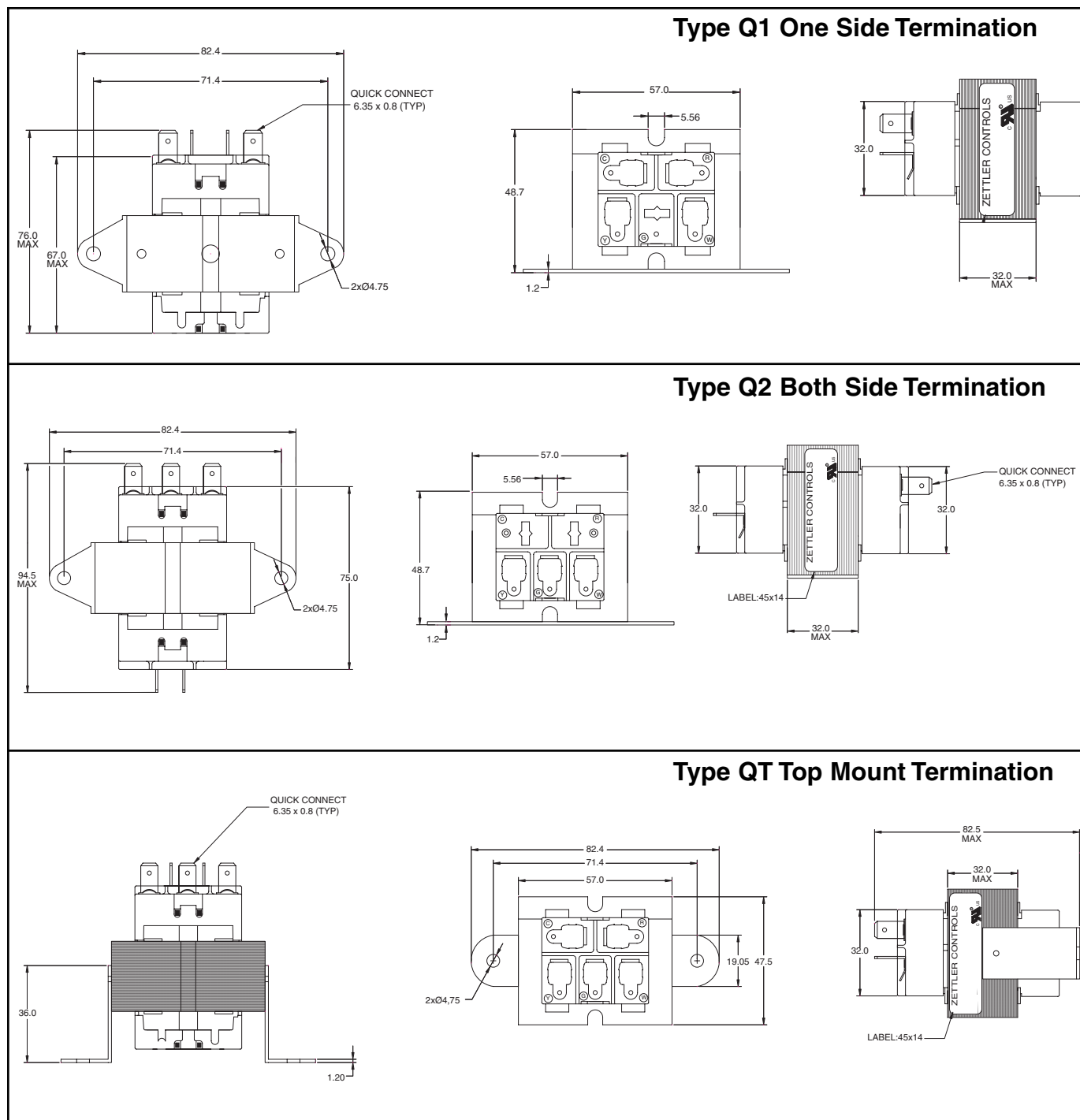
**ZETTLER Controls, Inc.** [www.zettlercontrols.com](http://www.zettlercontrols.com)

75 Columbia • Aliso Viejo, CA 92656 • Phone: (949) 360-5840 • Fax: (949) 360-5839 • E-Mail: [sales@zettlercontrols.com](mailto:sales@zettlercontrols.com)

# ZC AHR Series

## 30 VA - 40 VA QUICK CONNECT CLASS 2 UL 1585 TRANSFORMER

### MECHANICAL DATA



All dimensions are shown in millimeters.

**ZETTLER Controls, Inc.** [www.zettlercontrols.com](http://www.zettlercontrols.com)

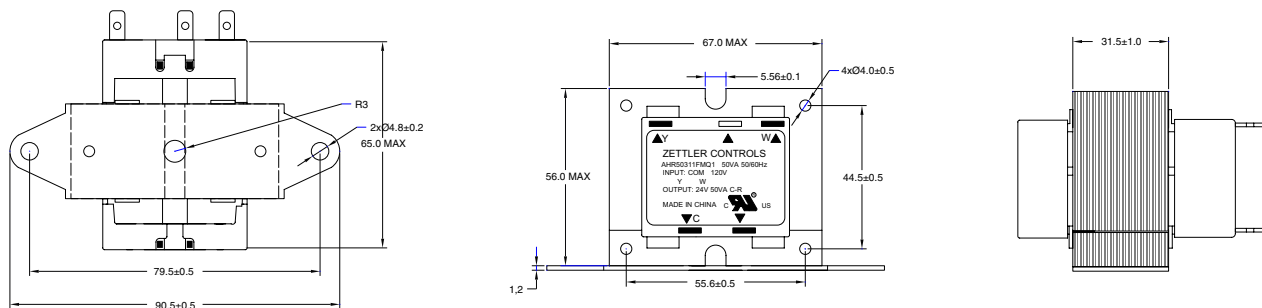
75 Columbia • Aliso Viejo, CA 92656 • Phone: (949) 360-5840 • Fax: (949) 360-5839 • E-Mail: [sales@zettlercontrols.com](mailto:sales@zettlercontrols.com)

# ZC AHR Series

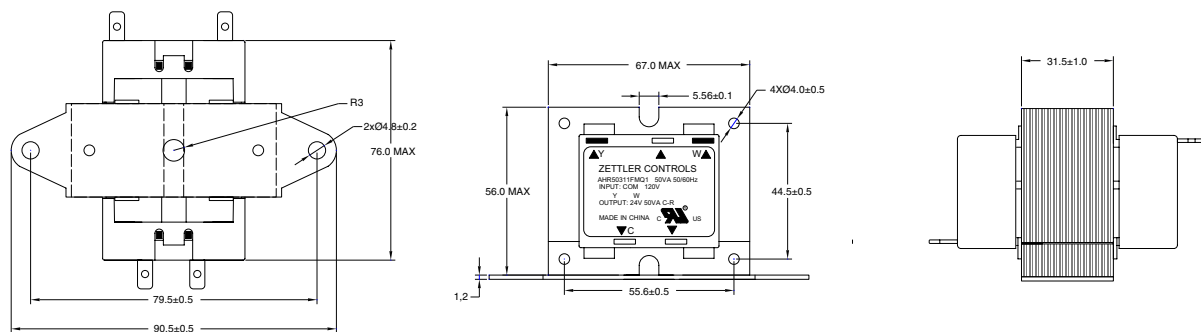
## 50 VA QUICK CONNECT CLASS 2 UL 1585 TRANSFORMER

### MECHANICAL DATA

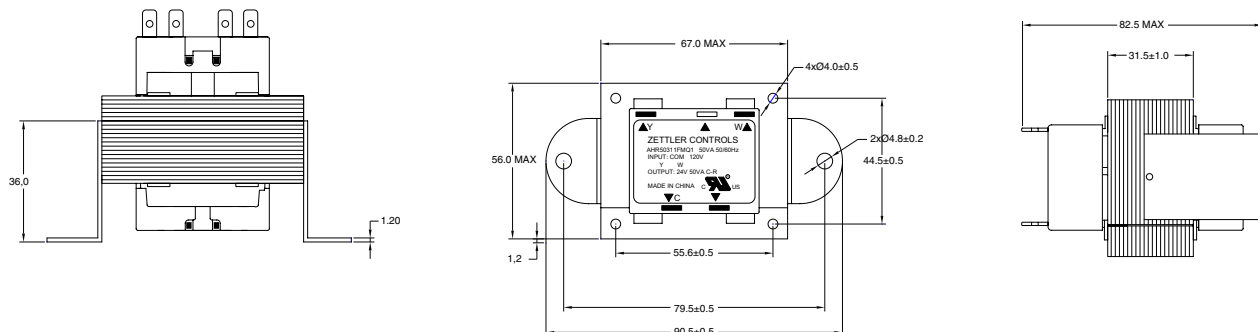
#### Type Q1 One Side Termination



#### Type Q2 Both Side Termination



#### Type QT Top Mount Termination



All dimensions are shown in millimeters.

**ZETTLER Controls, Inc.** [www.zettlercontrols.com](http://www.zettlercontrols.com)

75 Columbia • Aliso Viejo, CA 92656 • Phone: (949) 360-5840 • Fax: (949) 360-5839 • E-Mail: [sales@zettlercontrols.com](mailto:sales@zettlercontrols.com)

# ZC AHR Series

## 30 VA - 50 VA WIRE LEAD CONNECT CLASS 2 UL 1585 TRANSFORMER

### FEATURES

- 30 VA - 50 VA Inherently energy limited
- Compact frame size
- No secondary fusing required
- Low heat rise
- 50/60 Hz
- Input voltages 120-575 V, output 24 V
- Terminations with screw, quick-connect or wires
- Panel mount, foot-mount, adapter plate
- Customization for wire length, color, terminations and other customer requirements
- Split bobbin design
- Class B insulation systems 130° C rated
- UL/CUR File E214561



### STANDARD MODELS AVAILABLE

Prim./Sec. Voltage	30 VA Standard Model Designation	40 VA Standard Model Designation	50 VA Standard Model Designation
120 - 24	AHR30309	AHR40309	AHR50309
208/240 - 24	AHR30310	AHR40310	AHR50310
120 - 24	AHR30311	AHR40311	AHR50311
240 - 24	AHR30312	AHR40312	AHR50312
277 - 24	AHR30313	AHR40313	AHR50313
480 - 24	AHR30314	AHR40314	N/A
380/415 - 24	AHR30315	AHR40315	N/A
575 - 24	AHR30316	AHR40316	N/A
120/240 - 24	AHR30317	AHR40317	AHR50317
120/208/240 - 24	AHR30318	AHR40318	AHR50318

### GENERAL DATA

<b>Mounting Options</b>	Foot Mount, Bracket Multi Mount Adapter Plate Panel Mount, Lam Holes Fan Center Screw Term.
<b>Wire Size</b>	All leads are 18 AWG stranded UL 1015 Stranded wires have 300 mm total length, with 10 mm strip.
<b>Frequency</b>	60 Hz, 50/60 Hz
<b>Insulation System</b>	130° C Class B
<b>Weight</b>	30 VA multi mount 1.86 lbs. 30 VA foot mount 1.50 lbs. 40 VA multi mount 2.14 lbs. 40 VA foot mount 1.78 lbs. 50 VA foot mount 2.16 lbs.
<b>Box Quantity</b>	30 VA multi mount 18 per box 30 VA foot mount 30 per box 40 VA multi mount 18 per box 40 VA foot mount 30 per box 50 VA foot mount

### WIRE LEAD DETAILS

	Voltage	* Color	Length (mm)	Strip Length (mm)
<b>Primary</b>	COM	Black	300	10
	120	White	300	10
	208	Red	300	10
	240	Orange	300	10
	277	Brown	300	10
	480	Black/Red	300	10
	575	Grey	300	10
<b>Secondary</b>	24	Blue	300	10
	COM	Yellow	300	10

\* Suggested wire colors: consult factory for specific wire color requirements.

### NOTES

Zettler Controls, Inc. can custom build transformers to many different specifications. Contact Zettler Controls, Inc. directly for more information.

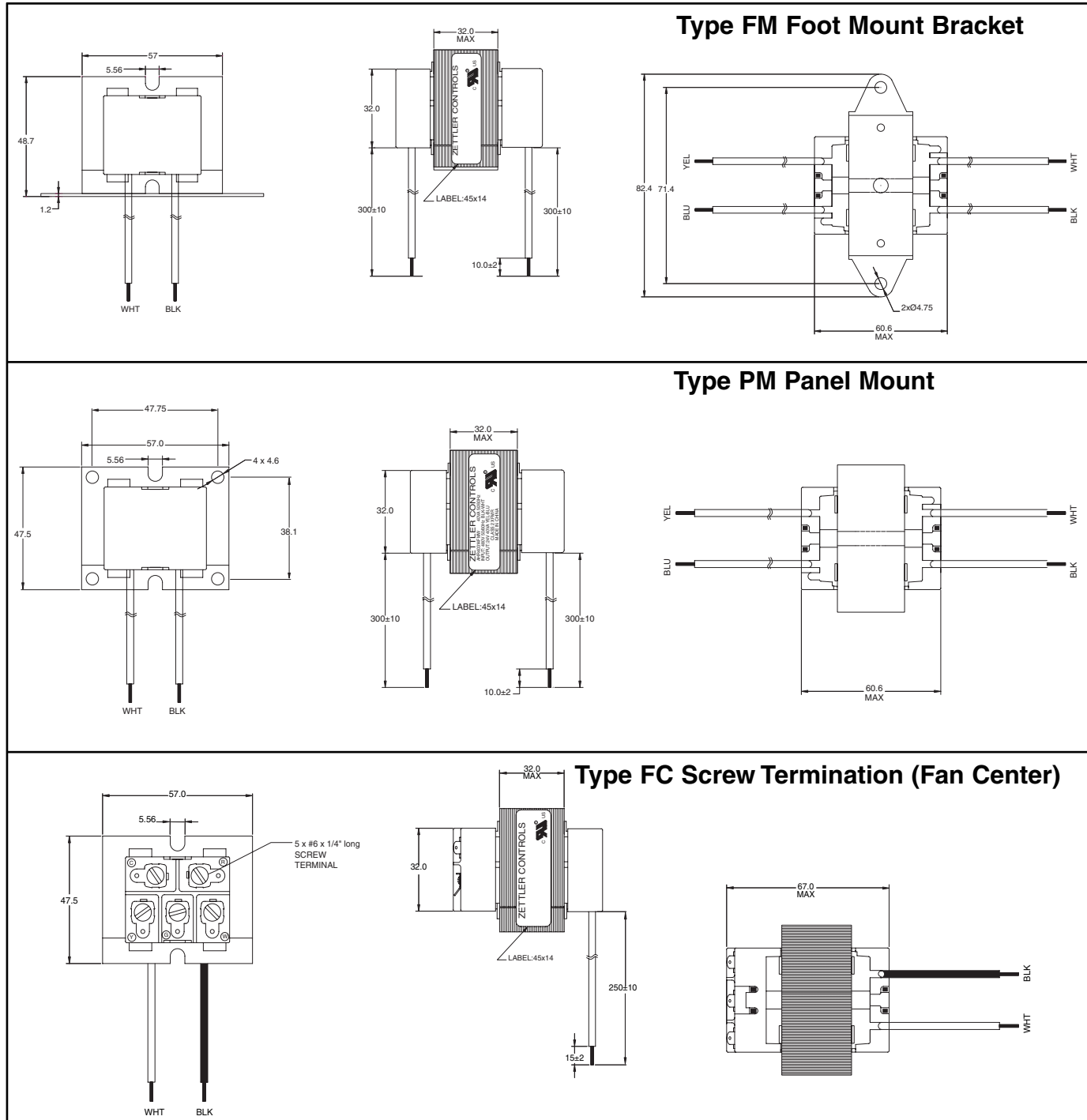
**ZETTLER Controls, Inc.** [www.zettlercontrols.com](http://www.zettlercontrols.com)

75 Columbia • Aliso Viejo, CA 92656 • Phone: (949) 360-5840 • Fax: (949) 360-5839 • E-Mail: [sales@zettlercontrols.com](mailto:sales@zettlercontrols.com)

# ZC AHR Series

30 VA - 40 VA WIRE LEAD CONNECT  
CLASS 2 UL 1585 TRANSFORMER

## MECHANICAL DATA



All dimensions are shown in millimeters except as noted.

**ZETTLER Controls, Inc.** [www.zettlercontrols.com](http://www.zettlercontrols.com)

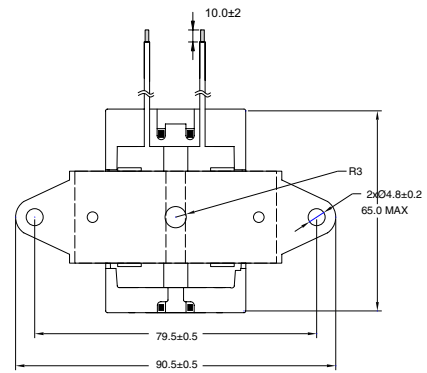
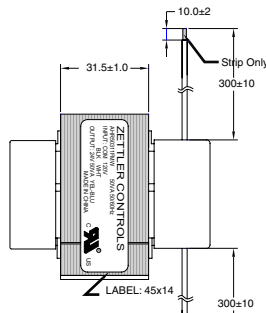
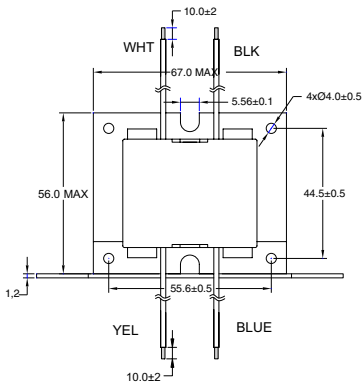
75 Columbia • Aliso Viejo, CA 92656 • Phone: (949) 360-5840 • Fax: (949) 360-5839 • E-Mail: [sales@zettlercontrols.com](mailto:sales@zettlercontrols.com)

# ZC AHR Series

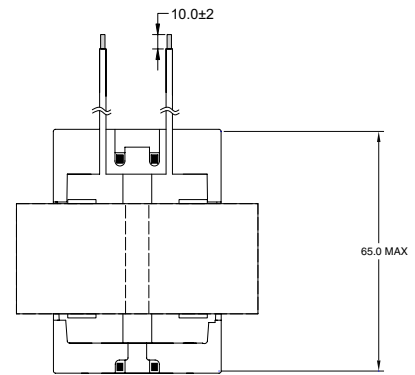
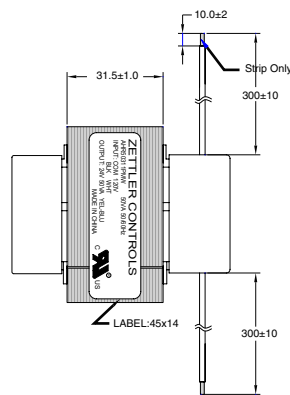
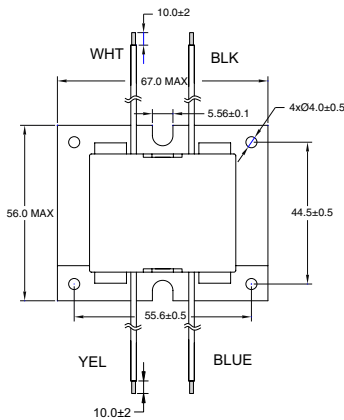
## 50 VA WIRE LEAD CONNECT CLASS 2 UL 1585 TRANSFORMER

### MECHANICAL DATA

#### Type FM Foot Mount Bracket



#### Type PM Panel Mount



**ZETTLER Controls, Inc.** [www.zettlercontrols.com](http://www.zettlercontrols.com)

75 Columbia • Aliso Viejo, CA 92656 • Phone: (949) 360-5840 • Fax: (949) 360-5839 • E-Mail: [sales@zettlercontrols.com](mailto:sales@zettlercontrols.com)